

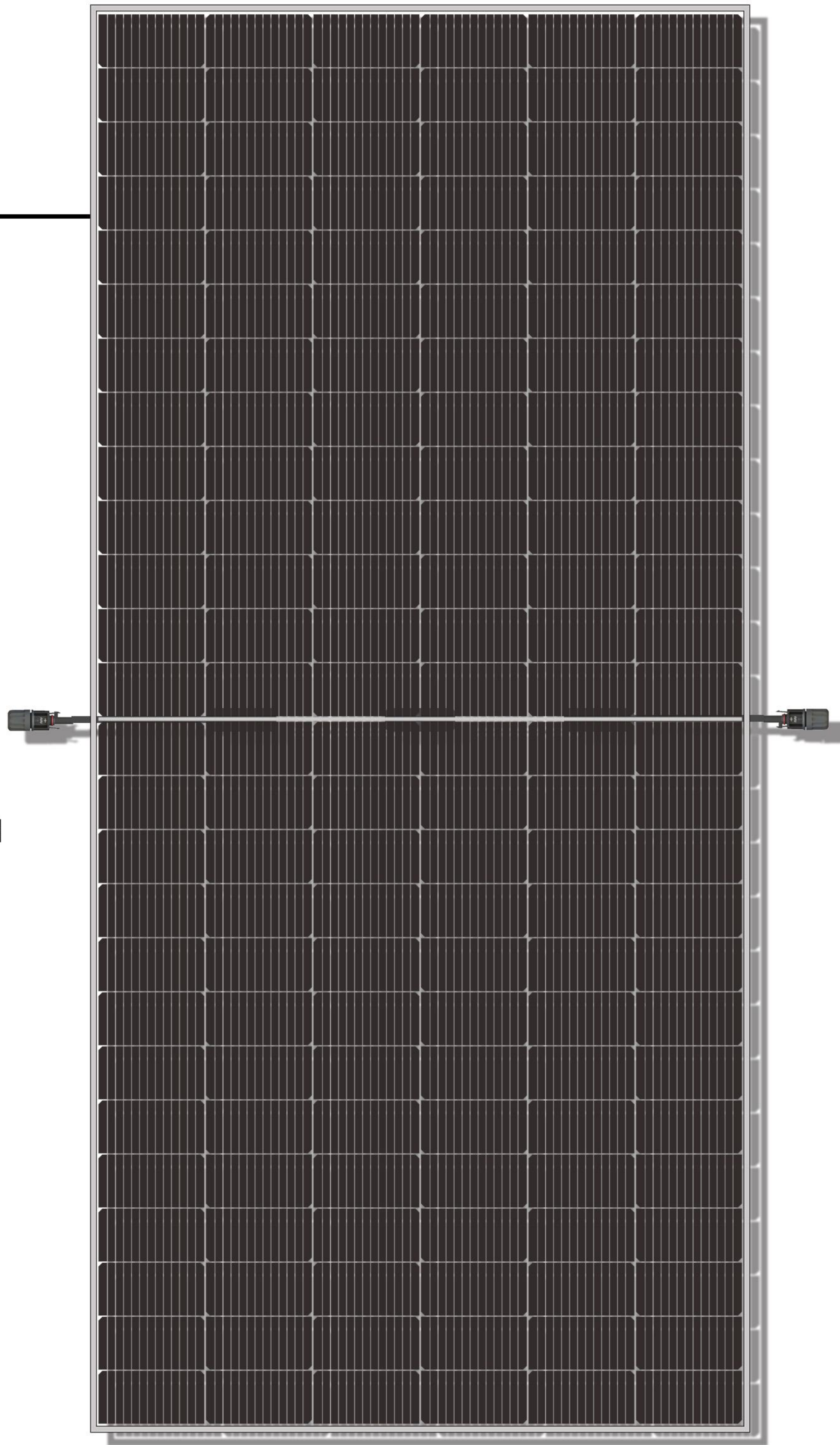
# M10 PERC

Bifacial Module with Transparent Backsheet

## AOX 78M10HC 590W-605W

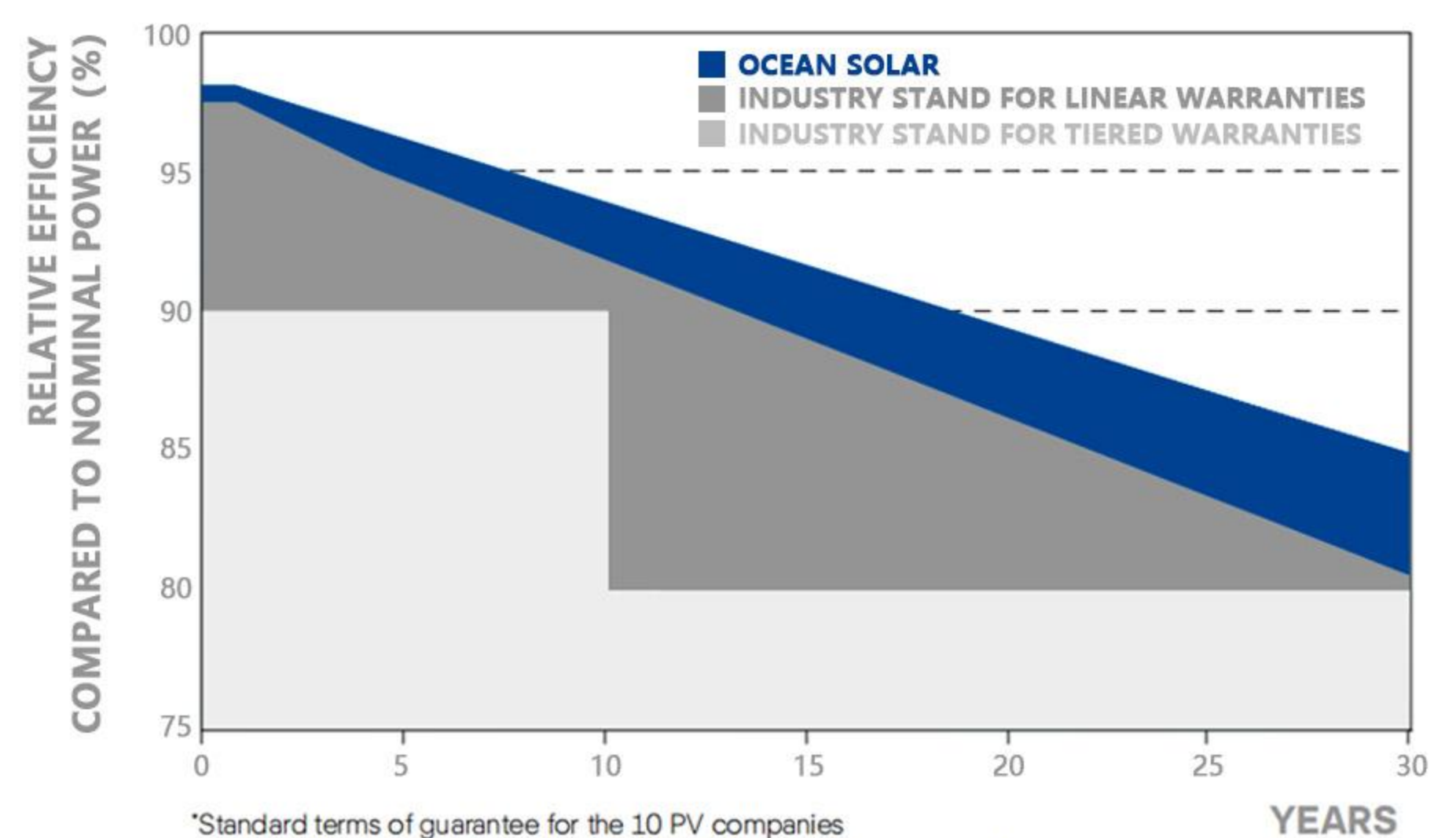
- Based on M10-182mm solar cells.
- Higher module quality ensures long-term reliability
- MBB Technology, better light trapping and current collection to improve module power output and reliability.
- Excellent Anti-PID performance guarantee via optimized mass production process and materials control

WORLD SHINES BECAUSE OF YOU



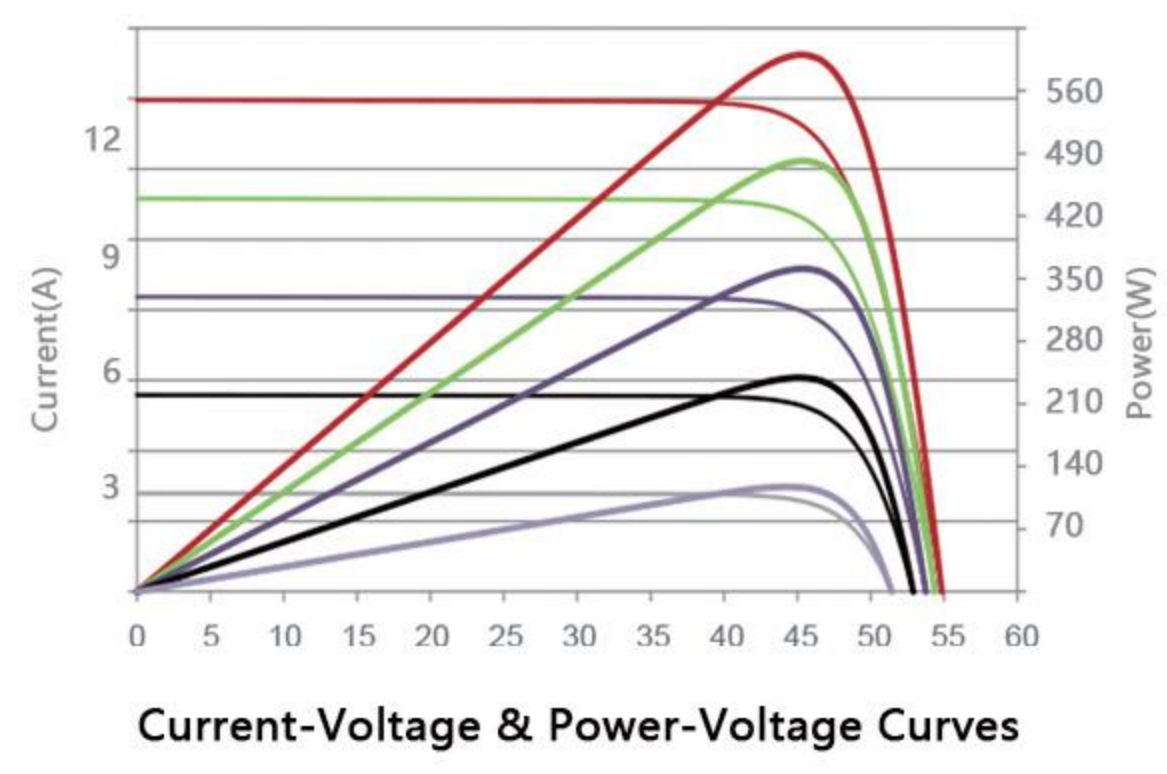
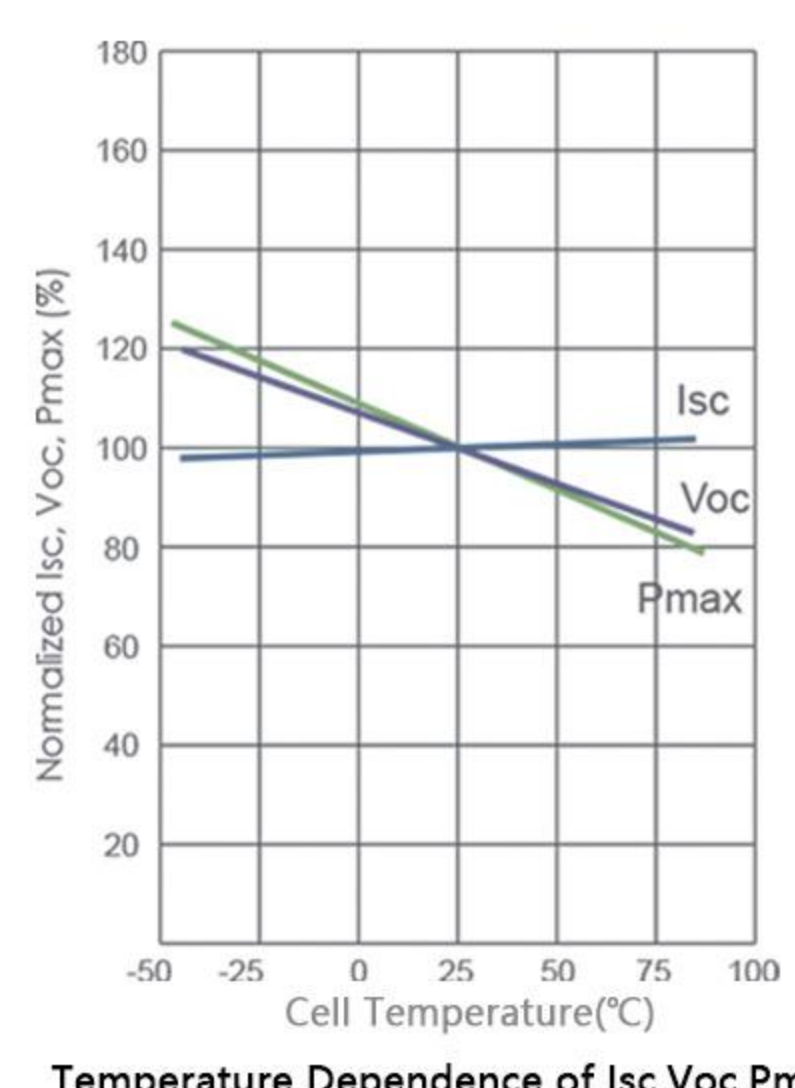
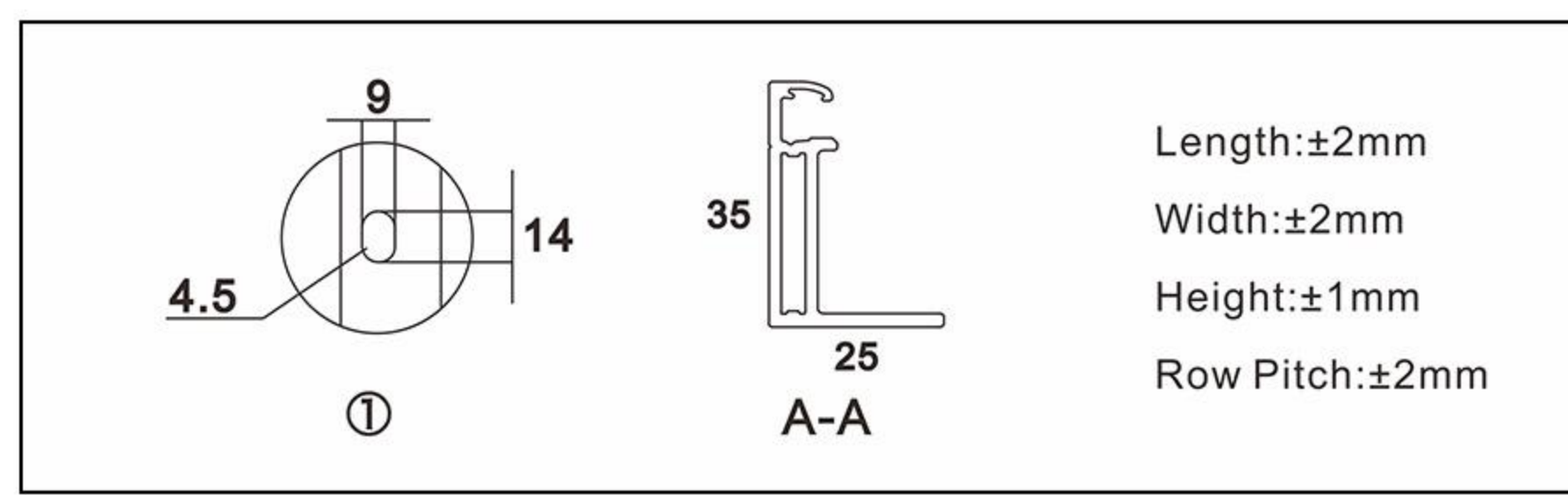
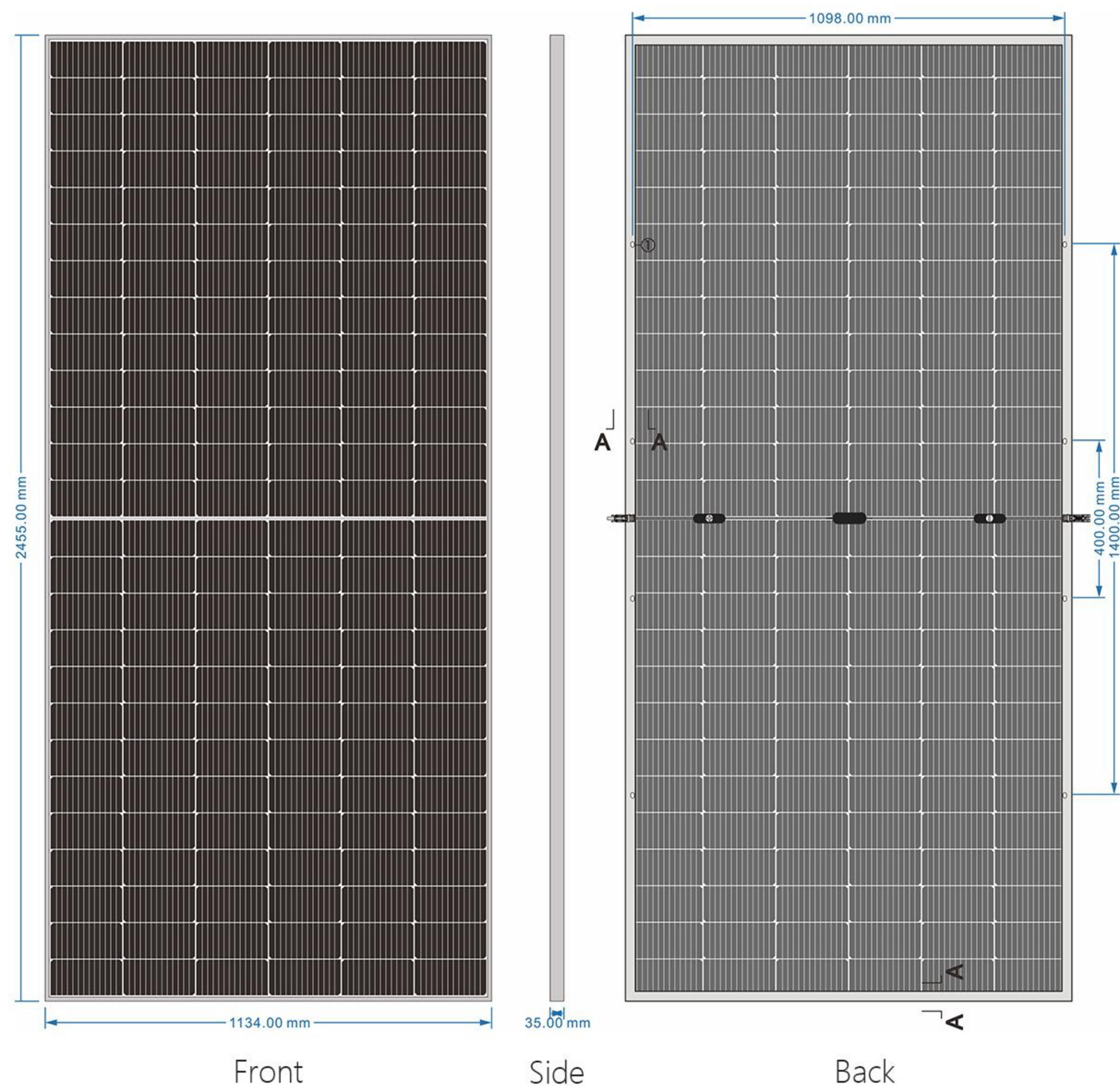
### PRODUCT Warranty

12-year Warranty for Materials and Processing  
30-year Warranty for Extra Linear Power Output



### PRODUCT Certifications





## Electrical Characteristics

STC: AM1.5 1000W/m<sup>2</sup> 25°C

NOCT: AM1.5 800W/m<sup>2</sup> 20°C 1m/s

Test uncertainty for Pmax: ±3%

Module Type	AOX-78M10HC590W		AOX-78M10HC595W		AOX-78M10HC600W		AOX-78M10HC605W	
	STC	NOCT	STC	NOCT	STC	NOCT	STC	NOCT
Testing Condition	STC	NOCT	STC	NOCT	STC	NOCT	STC	NOCT
Maximum Power (Pmax/W)	590Wp	446Wp	595Wp	450Wp	600Wp	454Wp	605Wp	459Wp
Voltage at Maximum Power (Vmp/V)	44.28V	41.47V	44.38V	41.64V	44.48V	41.81V	44.58V	41.98V
Current at Maximum Power (Imp/A)	13.33A	10.75A	13.41A	10.80A	13.49A	10.86A	13.57A	10.93A
Open Circuit Voltage (Voc/V)	53.72V	50.75V	53.82V	50.85V	53.92V	50.95V	54.02V	50.50V
Short Circuit Current (Isc/A)	13.93A	11.42A	14.02A	11.47A	14.11A	11.52A	14.33A	11.55A
Module Efficiency(%)	21.20%		21.40%		21.60%		21.80%	

## Mechanical Parameters

Cell Orientation	6*26 (156) solar half cells
Junction Box	IP 68 3 diodes
Output Cable	4.0mm <sup>2</sup> solar cable(IEC) (+)≥350mm (-)≥350mm or customized
Glass	3.2mm, High Transmission, AR Coated Heat Strengthened Glass
Frame	35mm Anodized Aluminium Alloy
Weight	29.0kg
Dimension	2455*1134*35mm
Packaging	31pcs/pallets,620pcs/ 40HQ Container

## Mechanical Loading

Front Side Maximum Static Loading	5400Pa
Rear Side Maximum Static Loading	2400Pa
Hailstone Test	25mm Hailstone at the speed of 23m/s

## Bifacial Output-Rearside Power Gain

5%	Maximum Power (Pmax)	620W	625W	630W	635W
	Module Efficiency STC (%)	22.26%	22.47%	22.68%	22.89%
15%	Maximum Power (Pmax)	679W	684W	690W	696W
	Module Efficiency STC (%)	24.38%	24.61%	24.84%	25.07%
25%	Maximum Power (Pmax)	738W	744W	750W	756W
	Module Efficiency STC (%)	26.50%	26.75%	27.00%	27.25%

## Operating Parameters

Operational Temperature	-40~+85 °C
Power Output Tolerance	0~5W
Voc and Isc Tolerance	±3%
Maximum System Voltage	1000/1500VDC(IEC)
Maximum Series Fuse Rating	25A
Nominal Operating Cell Temperature	45±2°C
Protection Class	Class II
Fire Rating	UL type 1 or 2 IEC Class C

## Temperature Ratings (STC)

Temperature Coefficient of Isc	0.046%/°C
Temperature Coefficient of Voc	-0.25%/°C
Temperature Coefficient of Pmax	-0.30%/°C

## Product Warranty

Warranty for Materials and Processing	12 Year
Warranty for Extra Linear Power Output	30 Year

## Product Certifications



Ocean Solar Co.,Ltd

E-mail:info@oceansolar.cn

Web:www.oceansolar.cn

© 2022 Ocean Solar All rights reserved.

Specifications included in this datasheet are subject to change without notice.

