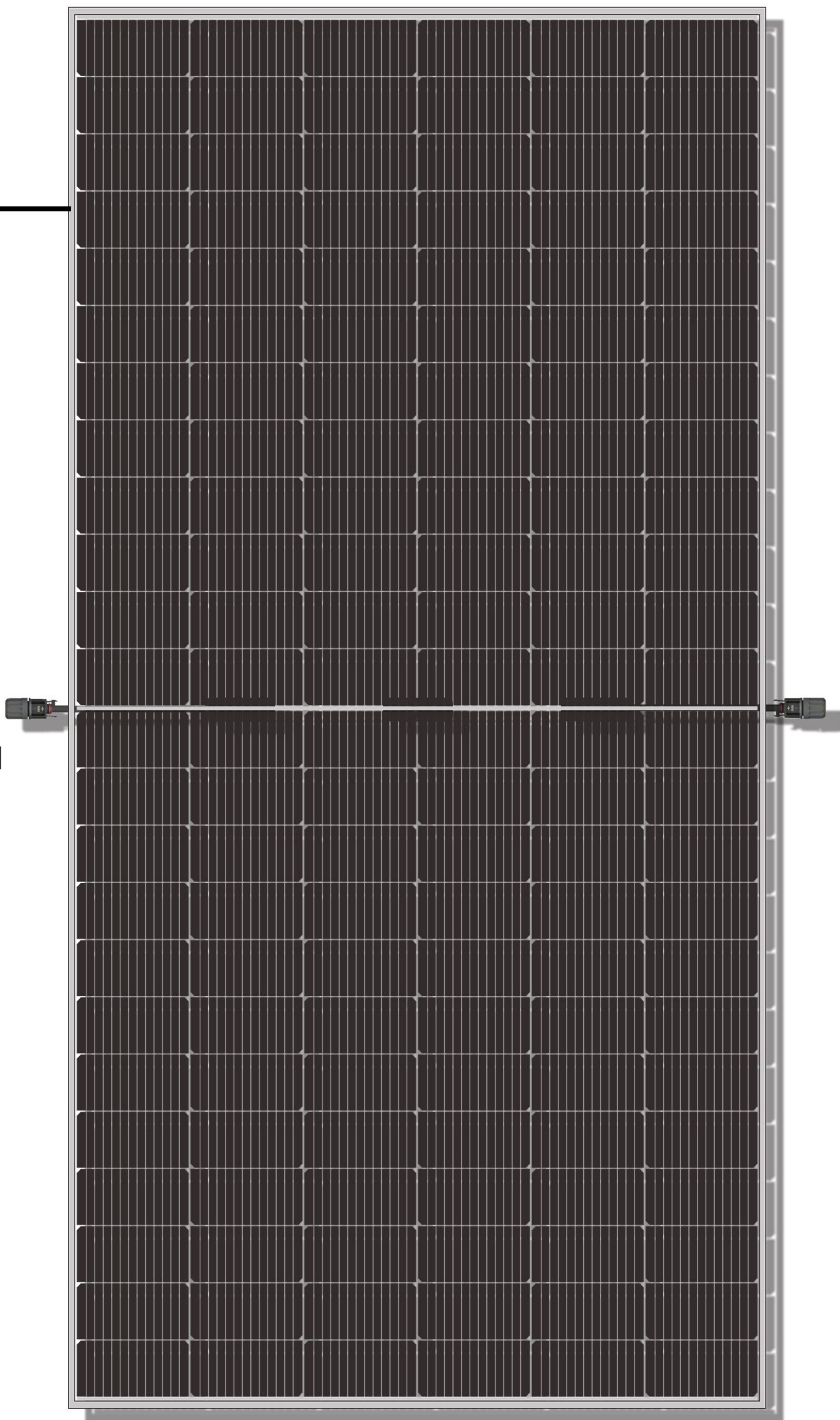


# M10 N-TopCon

**Bifacial Module with Transparent Backsheet**

## AOX 72M10HC 560W-580W

- Based on M10-182mm solar cells.
- Higher module quality ensures long-term reliability
- MBB Technology, better light trapping and current collection to improve module power output and reliability.
- Excellent Anti-PID performance guarantee via optimized mass production process and materials control



**WORLD SHINES BECAUSE OF YOU**

### N-TopCon Technology Innovation

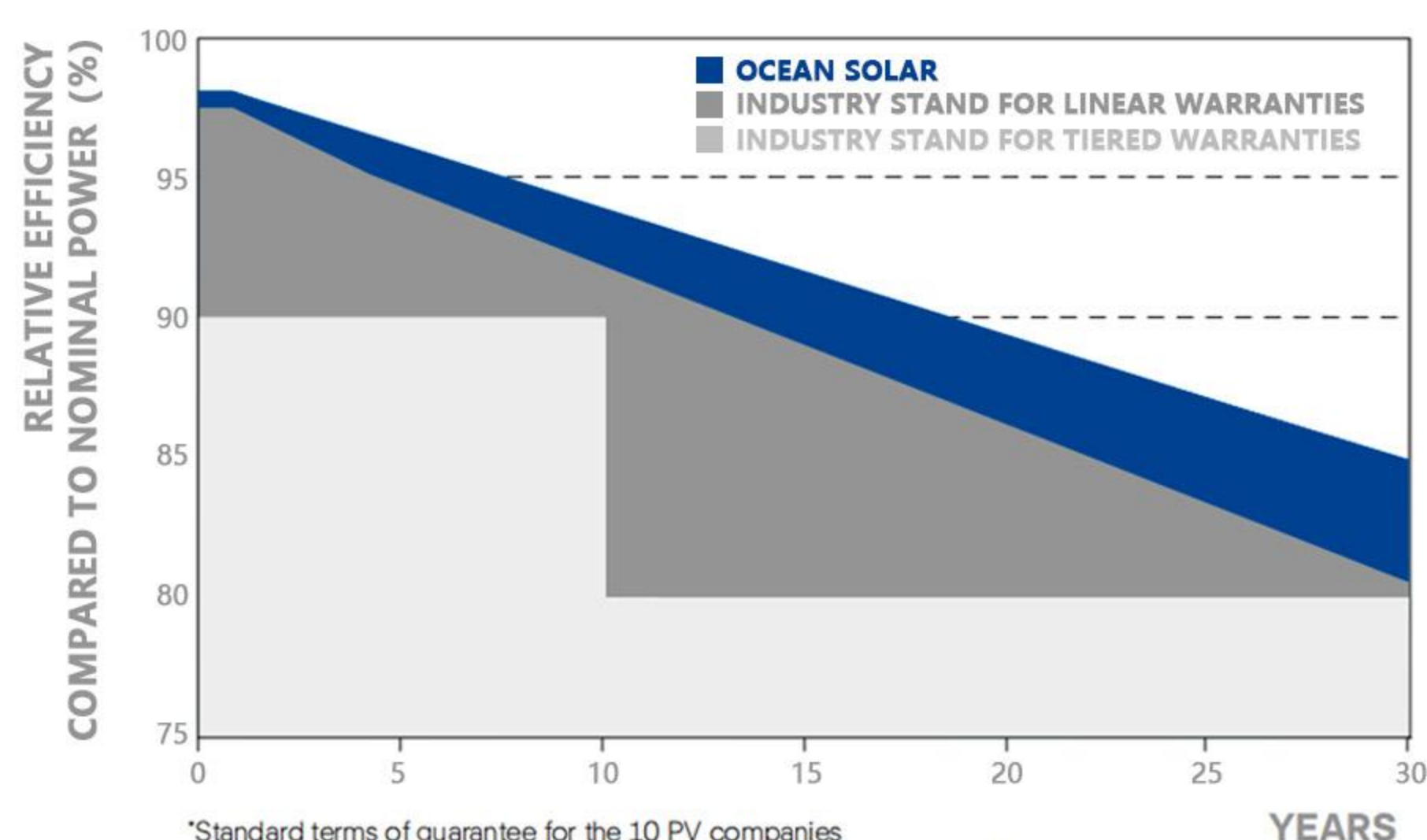
Selective Passivation Contact

The key technology determines the maximum efficiency



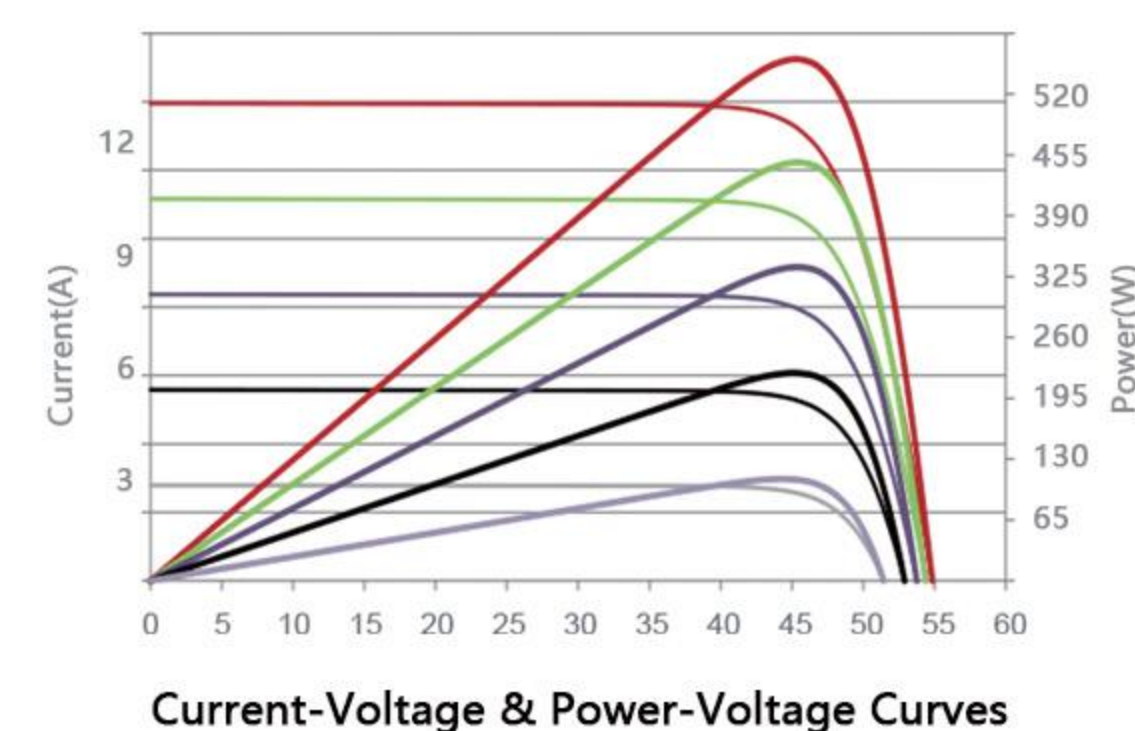
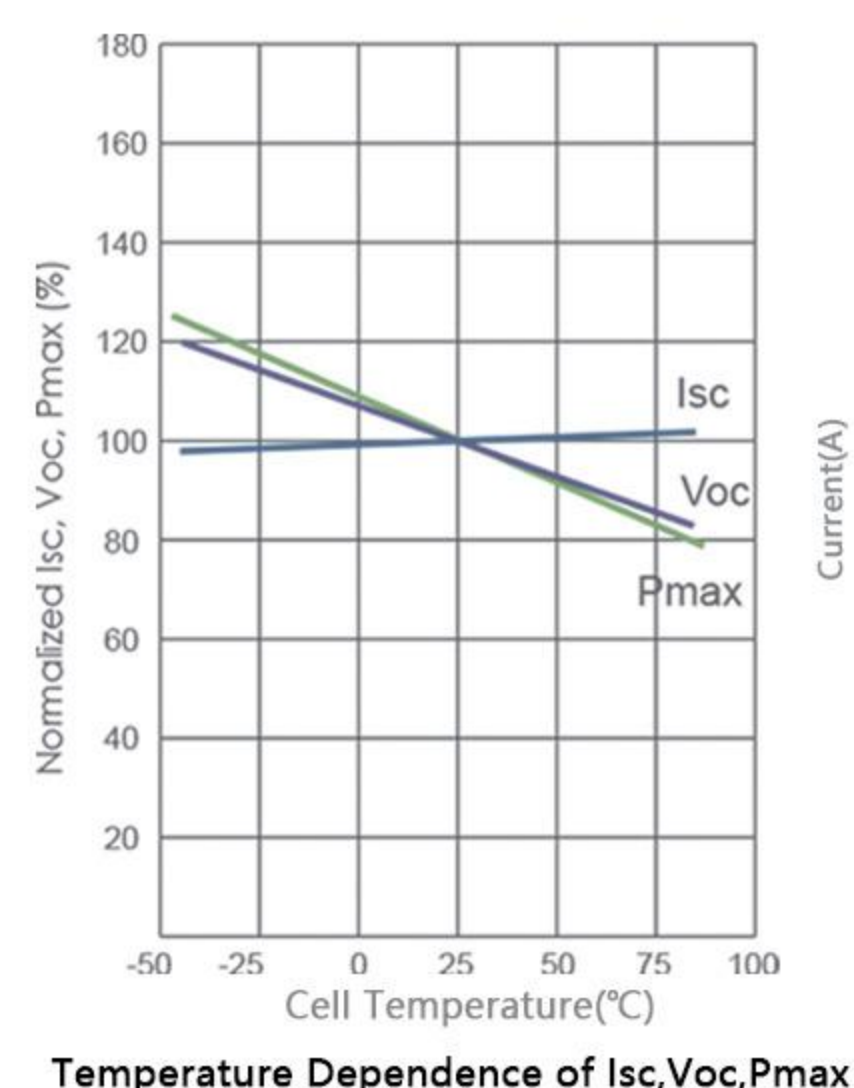
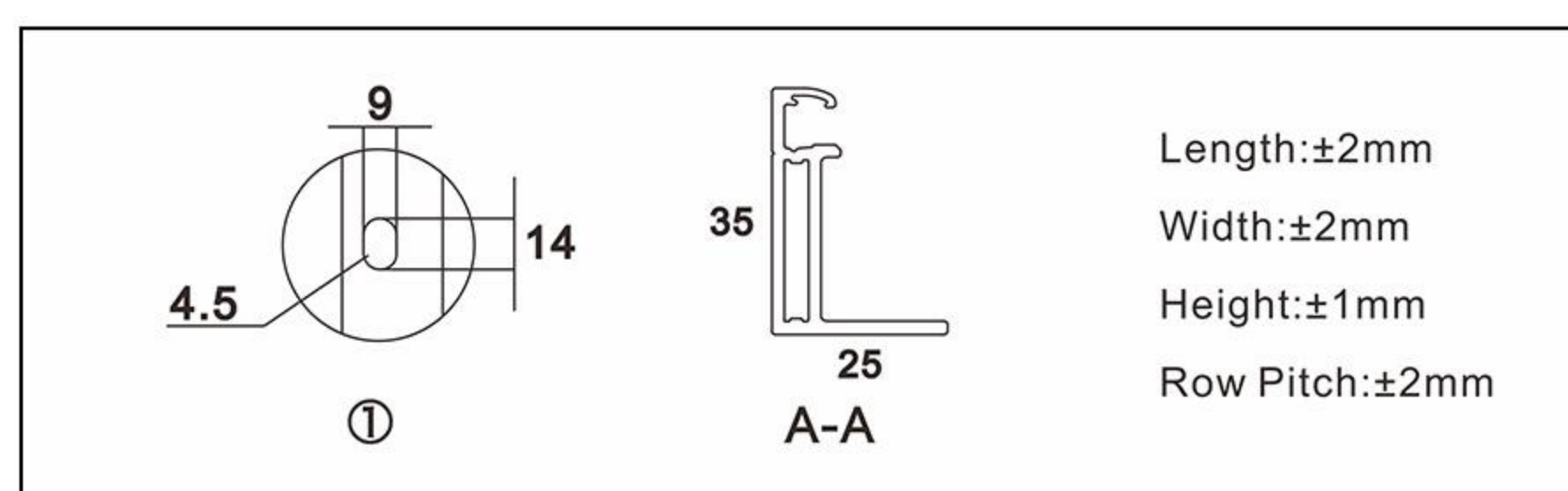
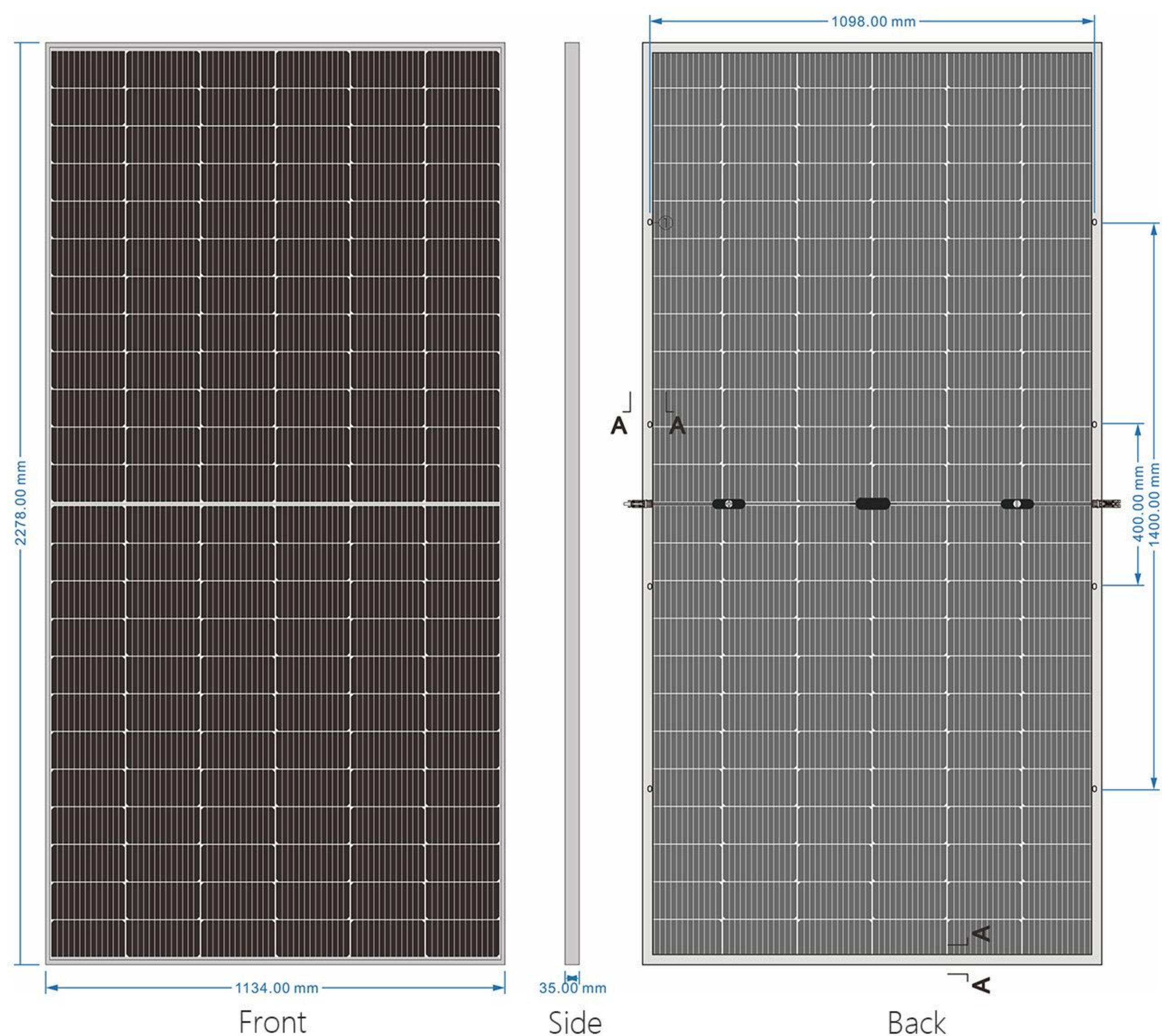
### PRODUCT Warranty

12-year Warranty for Materials and Processing  
30-year Warranty for Extra Linear Power Output



### PRODUCT Certifications





## Electrical Characteristics

STC: AM1.5 1000W/m<sup>2</sup> 25°C

NOCT: AM1.5 800W/m<sup>2</sup> 20°C 1m/s

Test uncertainty for Pmax: ±3%

Module Type	AOX-72M10HC560W		AOX-72M10HC565W		AOX-72M10HC570W		AOX-72M10HC575W		AOX-72M10HC580W	
	STC	NOCT	STC	NOCT	STC	NOCT	STC	NOCT	STC	NOCT
Maximum Power (Pmax/W)	560Wp	421Wp	565Wp	425Wp	570Wp	429Wp	575Wp	432Wp	580Wp	436Wp
Voltage at Maximum Power (Vmp/V)	41.77V	39.25V	41.92V	39.38V	42.07V	39.51V	42.22V	39.60V	42.37V	39.69V
Current at Maximum Power (Imp/A)	13.41A	10.73A	13.48A	10.79A	13.55A	10.85A	13.62A	10.92A	13.69A	10.99A
Open Circuit Voltage (Voc/V)	50.47V	47.94V	50.60V	48.06V	50.74V	48.20V	50.88V	48.33V	51.02V	48.46V
Short Circuit Current (Isc/A)	14.15A	11.42A	14.23A	11.49A	14.31A	11.55A	14.39A	11.62A	14.47A	11.69A
Module Efficiency(%)	21.70%		21.90%		22.10%		22.30%		22.50%	

## Mechanical Parameters

Cell Orientation	6*24 (144) solar half cells
Junction Box	IP 68 3 diodes
Output Cable	4.0mm <sup>2</sup> solar cable(IEC) (+)≥350mm (-)≥350mm or customized
Glass	3.2mm, High Transmission, AR Coated Heat Strengthened Glass
Frame	35mm Anodized Aluminium Alloy
Weight	27.0kg
Dimension	2278*1134*35mm
Packaging	31pcs/pallets,620pcs/ 40HQ Container

## Mechanical Loading

Front Side Maximum Static Loading	5400Pa
Rear Side Maximum Static Loading	2400Pa
Hailstone Test	25mm Hailstone at the speed of 23m/s

## Bifacial Output-Rearside Power Gain

5%	Maximum Power (Pmax)	588W	593W	599W	604W	609W
	Module Efficiency STC (%)	22.79%	23.00%	23.21%	23.42%	23.63%
15%	Maximum Power (Pmax)	644W	650W	656W	661W	667W
	Module Efficiency STC (%)	24.96%	25.19%	25.42%	25.65%	25.88%
25%	Maximum Power (Pmax)	700W	706W	713W	719W	725W
	Module Efficiency STC (%)	27.13%	27.38%	27.63%	27.88%	28.13%

## Operating Parameters

Operational Temperature	-40~+85 °C
Power Output Tolerance	0~5W
Voc and Isc Tolerance	±3%
Maximum System Voltage	1000/1500VDC(IEC)
Maximum Series Fuse Rating	25A
Nominal Operating Cell Temperature	45±2°C
Protection Class	Class II
Fire Rating	UL type 1 or 2 IEC Class C

## Temperature Ratings (STC)

Temperature Coefficient of Isc	0.046%/°C
Temperature Coefficient of Voc	-0.25%/°C
Temperature Coefficient of Pmax	-0.30%/°C

## Product Warranty

Warranty for Materials and Processing	12 Year
Warranty for Extra Linear Power Output	30 Year

## Product Certifications



Ocean Solar Co.,Ltd

E-mail: info@oceansolar.cn

Web: www.oceansolar.cn

© 2022 Ocean Solar All rights reserved.

Specifications included in this datasheet are subject to change without notice.

