

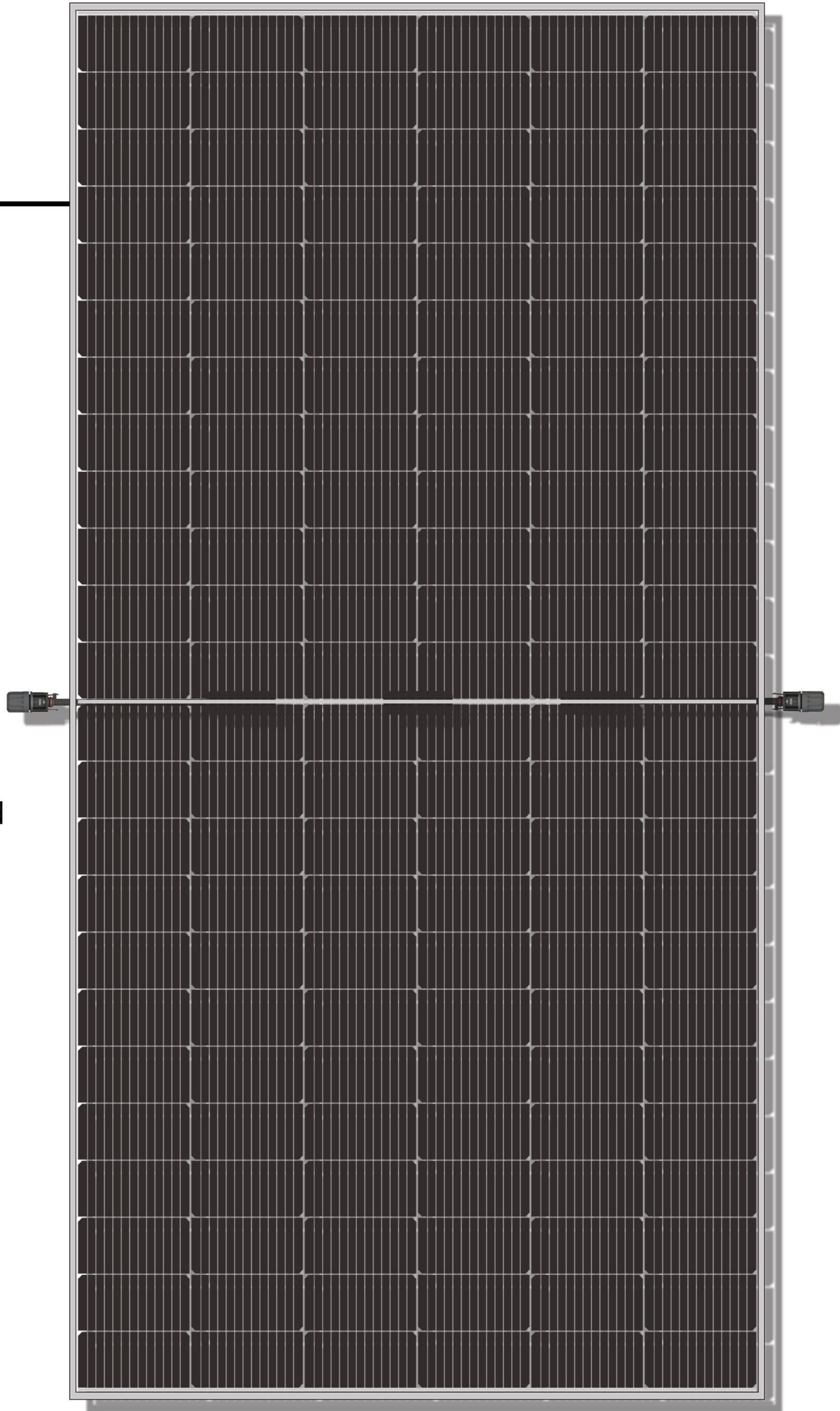
M10 PERC

Bifacial Module with Transparent Backsheet

AOX 72M10HC 540W-555W

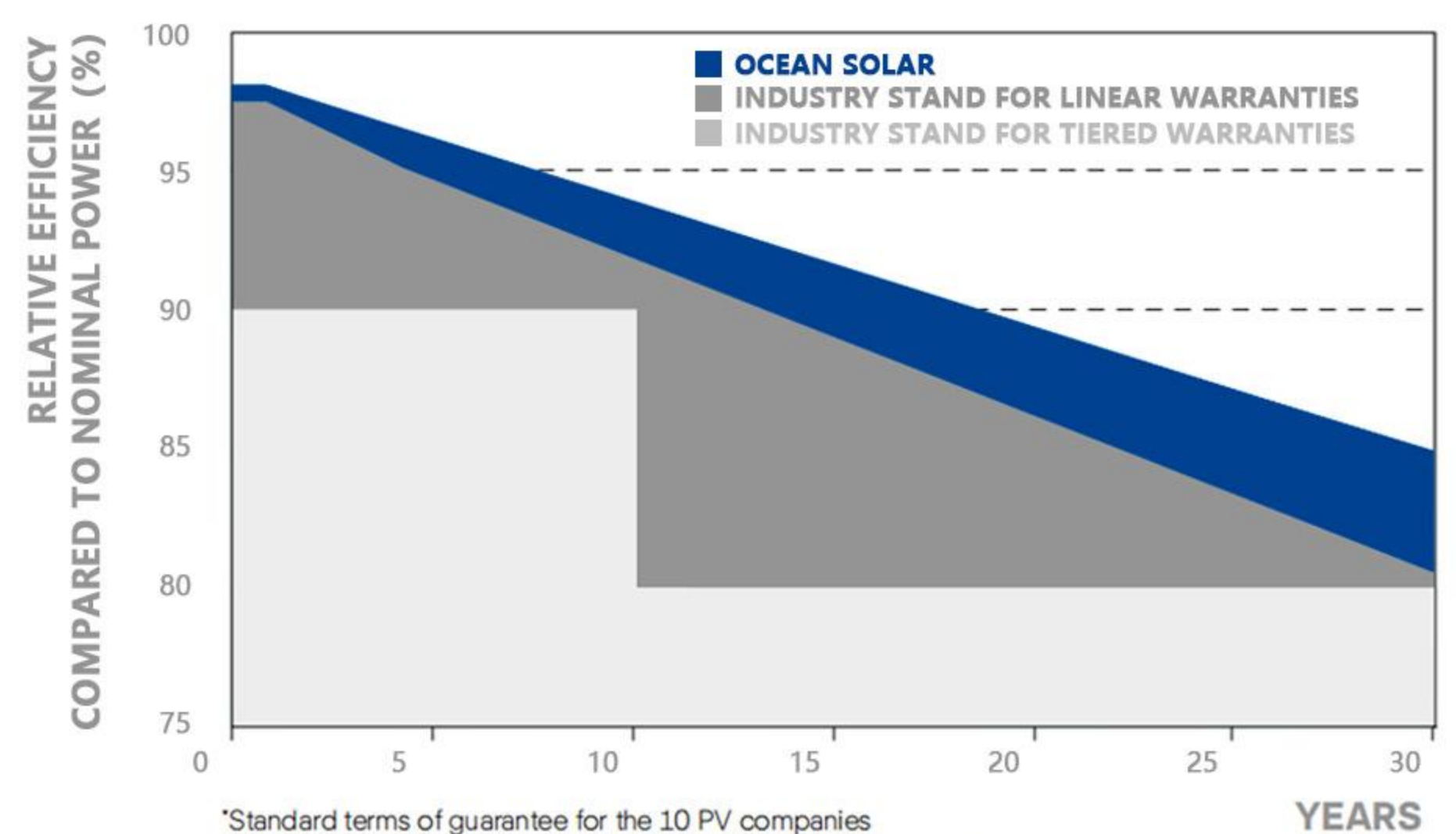
- Based on M10-182mm solar cells.
- Higher module quality ensures long-term reliability
- MBB Technology, better light trapping and current collection to improve module power output and reliability.
- Excellent Anti-PID performance guarantee via optimized mass production process and materials control

WORLD SHINES BECAUSE OF YOU



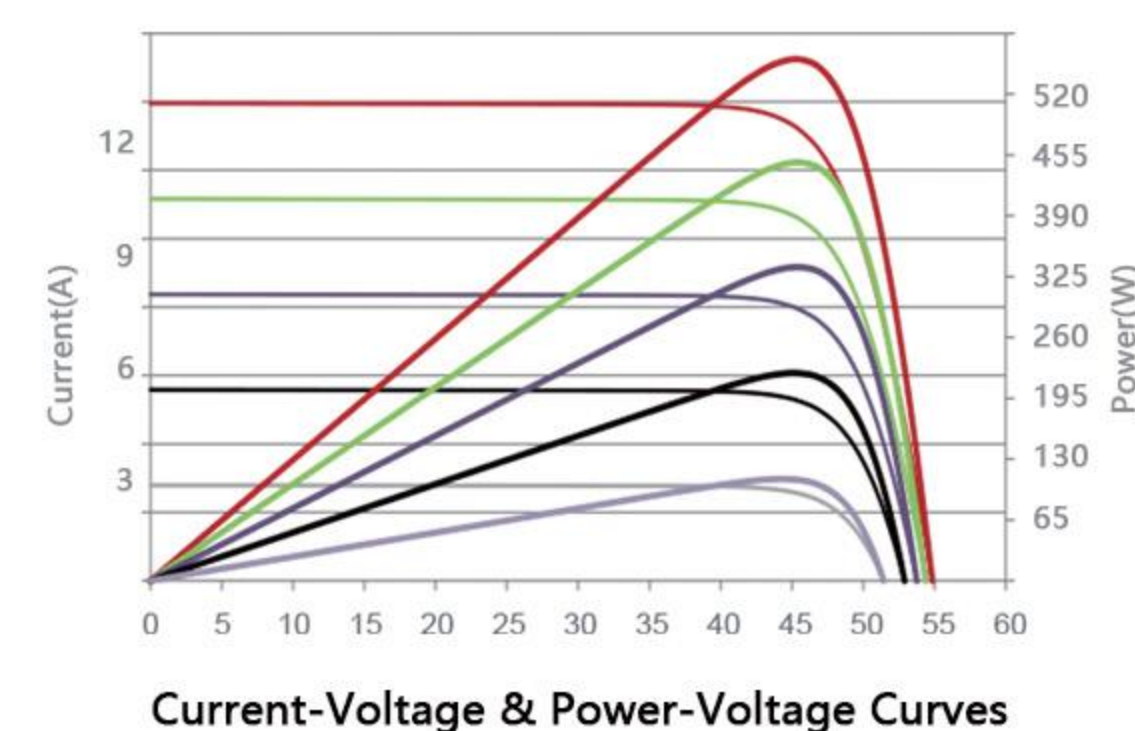
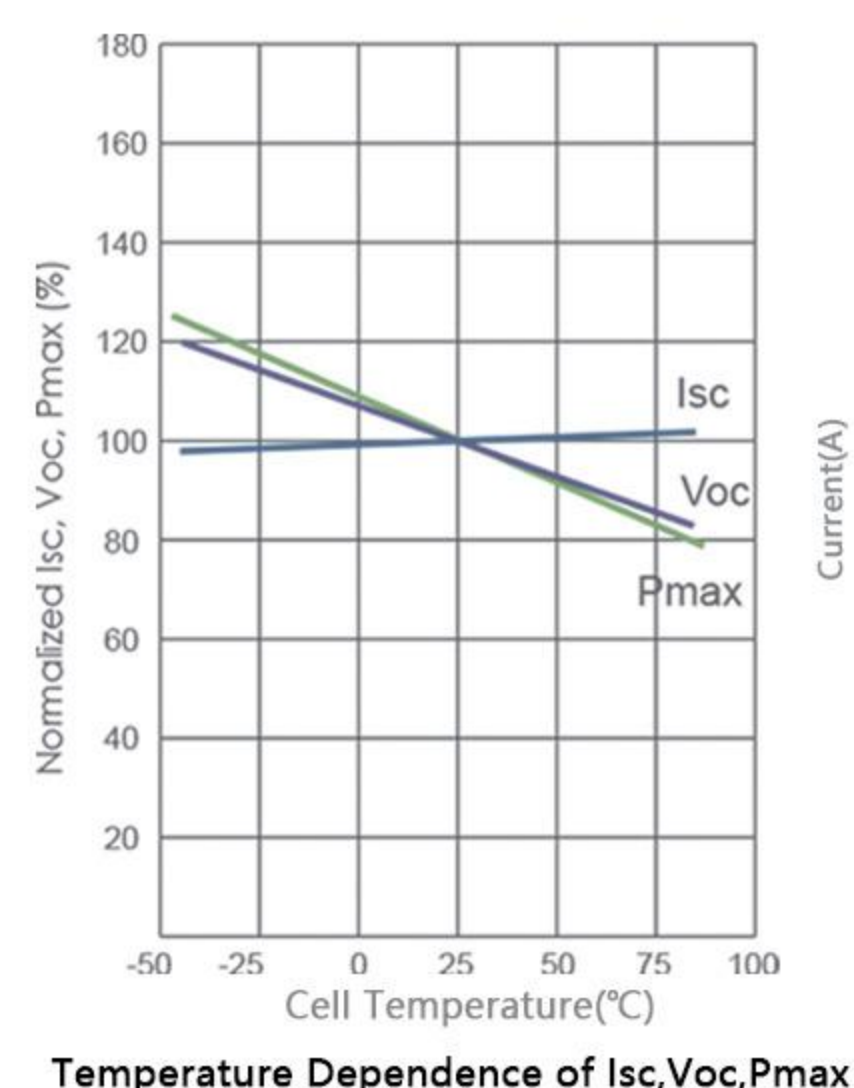
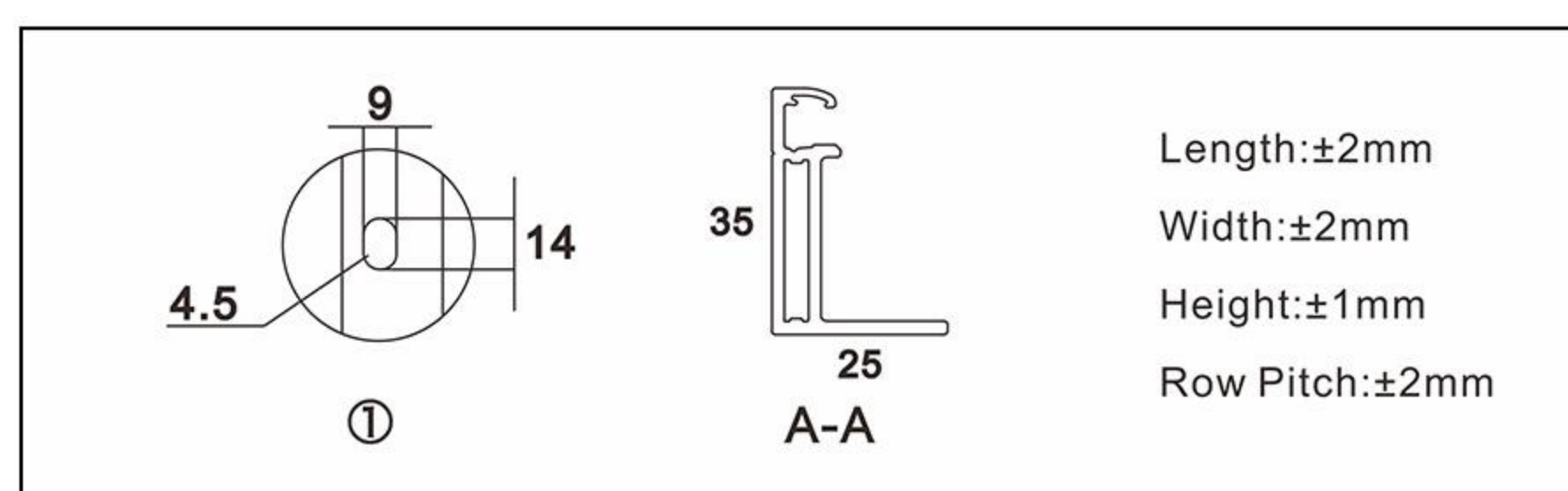
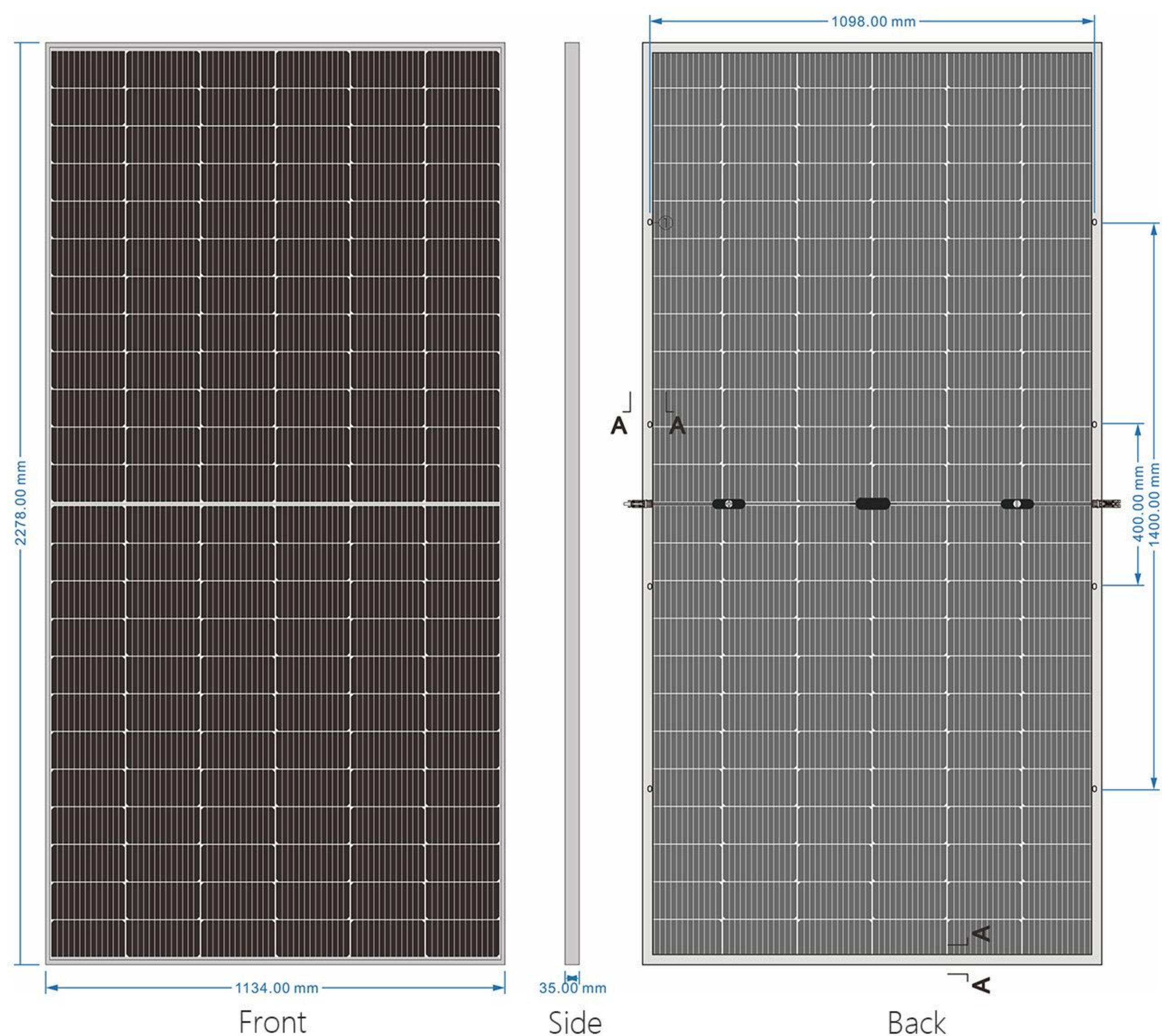
PRODUCT Warranty

12-year Warranty for Materials and Processing
30-year Warranty for Extra Linear Power Output



PRODUCT Certifications





Electrical Characteristics

STC: AM1.5 1000W/m² 25°C

NOCT: AM1.5 800W/m² 20°C 1m/s

Test uncertainty for Pmax: ±3%

Module Type	AOX-72M10HC540W		AOX-72M10HC545W		AOX-72M10HC550W		AOX-72M10HC555W	
	STC	NOCT	STC	NOCT	STC	NOCT	STC	NOCT
Maximum Power (Pmax/W)	540Wp	402Wp	545Wp	405Wp	550Wp	409Wp	555Wp	413Wp
Voltage at Maximum Power (Vmp/V)	40.70V	38.08V	40.80V	38.25V	40.90V	38.42V	41.00V	38.59V
Current at Maximum Power (Imp/A)	13.27A	10.55A	13.36A	10.60A	13.45A	10.65A	13.54A	10.70A
Open Circuit Voltage (Voc/V)	49.42V	46.65V	49.52V	46.74V	49.62V	46.84V	49.72V	46.94V
Short Circuit Current (Isc/A)	13.85A	11.19A	13.94A	11.26A	14.03A	11.30A	14.12A	11.35A
Module Efficiency(%)	20.90%		21.10%		21.30%		21.50%	

Mechanical Parameters

Cell Orientation	6*24 (144) solar half cells
Junction Box	IP 68 3 diodes
Output Cable	4.0mm ² solar cable(IEC) (+)≥350mm (-)≥350mm or customized
Glass	3.2mm, High Transmission, AR Coated Heat Strengthened Glass
Frame	35mm Anodized Aluminium Alloy
Weight	27.0kg
Dimension	2278*1134*35mm
Packaging	31pcs/pallets,620pcs/ 40HQ Container

Mechanical Loading

Front Side Maximum Static Loading	5400Pa
Rear Side Maximum Static Loading	2400Pa
Hailstone Test	25mm Hailstone at the speed of 23m/s

Bifacial Output-Rearside Power Gain

5%	Maximum Power (Pmax)	567W	572W	578W	583W
	Module Efficiency STC (%)	21.95%	22.16%	22.37%	22.58%
15%	Maximum Power (Pmax)	621W	627W	633W	638W
	Module Efficiency STC (%)	24.04%	24.27%	24.50%	24.73%
25%	Maximum Power (Pmax)	675W	681W	688W	694W
	Module Efficiency STC (%)	26.13%	26.38%	26.63%	26.88%

Operating Parameters

Operational Temperature	-40~+85 °C
Power Output Tolerance	0~5W
Voc and Isc Tolerance	±3%
Maximum System Voltage	1000/1500VDC(IEC)
Maximum Series Fuse Rating	25A
Nominal Operating Cell Temperature	45±2°C
Protection Class	Class II
Fire Rating	UL type 1 or 2 IEC Class C

Temperature Ratings (STC)

Temperature Coefficient of Isc	0.046%/°C
Temperature Coefficient of Voc	-0.25%/°C
Temperature Coefficient of Pmax	-0.30%/°C

Product Warranty

Warranty for Materials and Processing	12 Year
Warranty for Extra Linear Power Output	30 Year

Product Certifications



Ocean Solar Co.,Ltd

E-mail: info@oceansolar.cn

Web: www.oceansolar.cn

© 2022 Ocean Solar All rights reserved.

Specifications included in this datasheet are subject to change without notice.

