

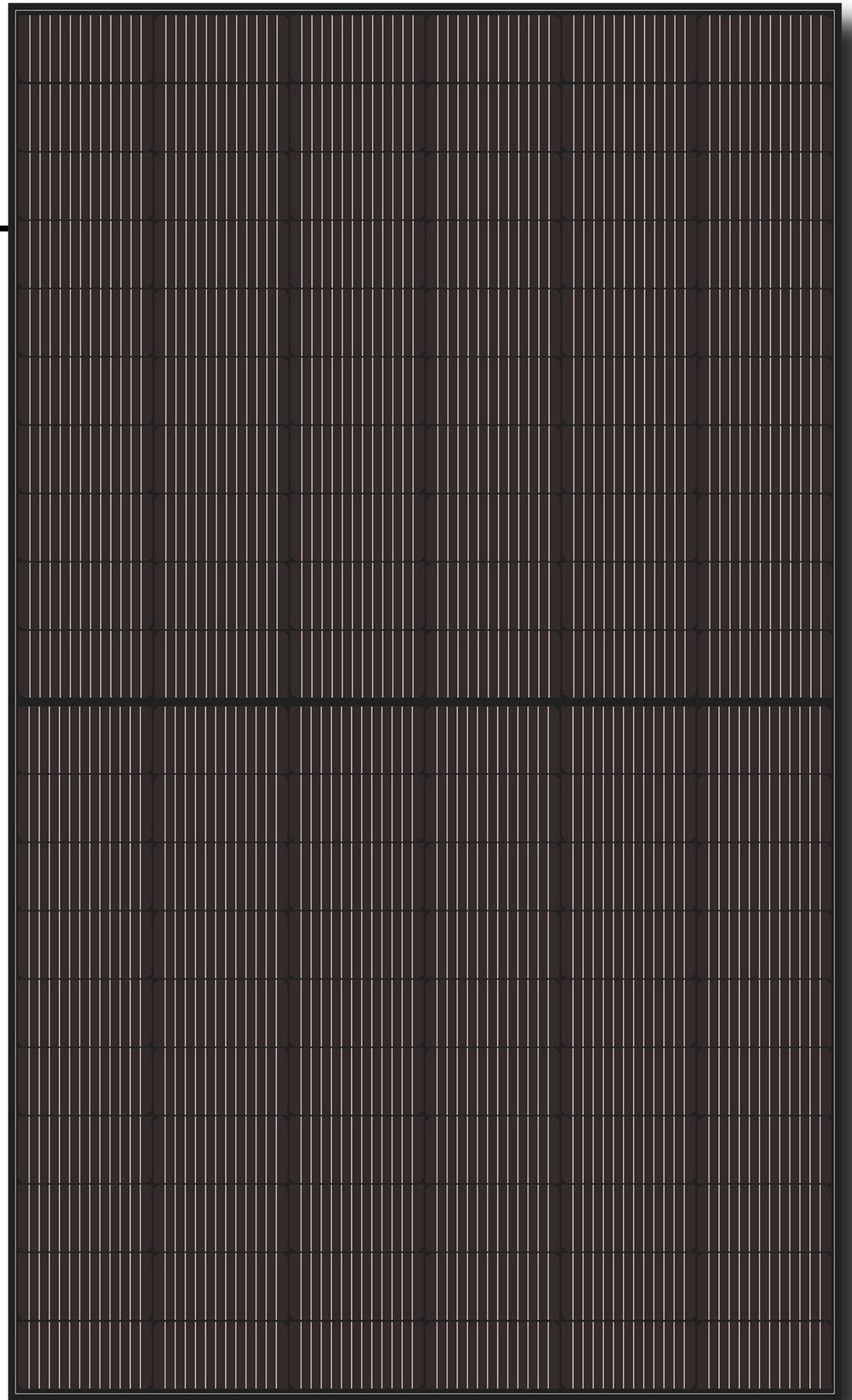
M10 N-TopCon

All Black

AOX 60M10HC 470W-485W

- Based on M10-182mm solar cells.
- Higher module quality ensures long-term reliability
- MBB Technology, better light trapping and current collection to improve module power output and reliability.
- Excellent Anti-PID performance guarantee via optimized mass production process and materials control

WORLD SHINES BECAUSE OF YOU



N-TopCon Technology Innovation

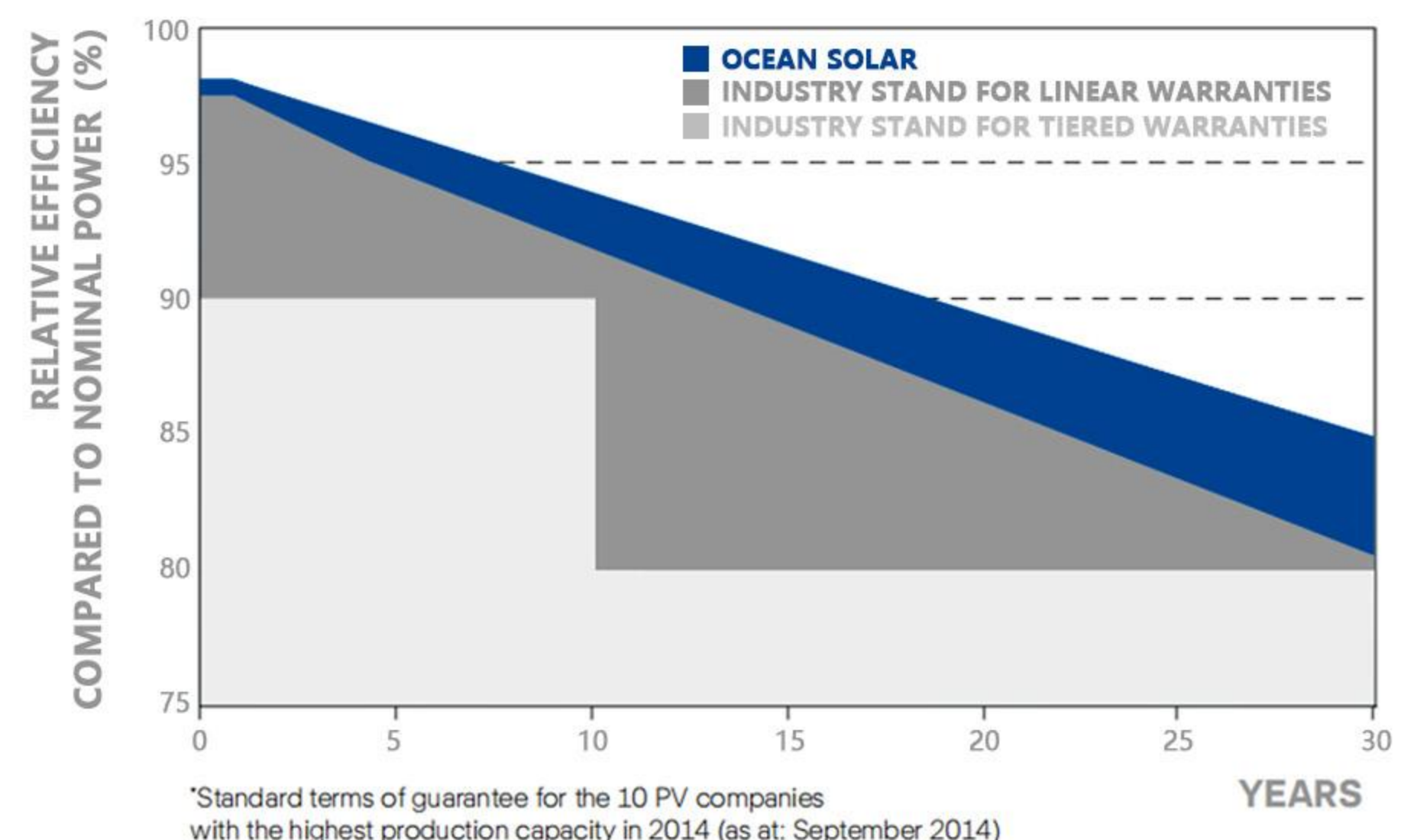
Selective Passivation Contact

The key technology determines the maximum efficiency



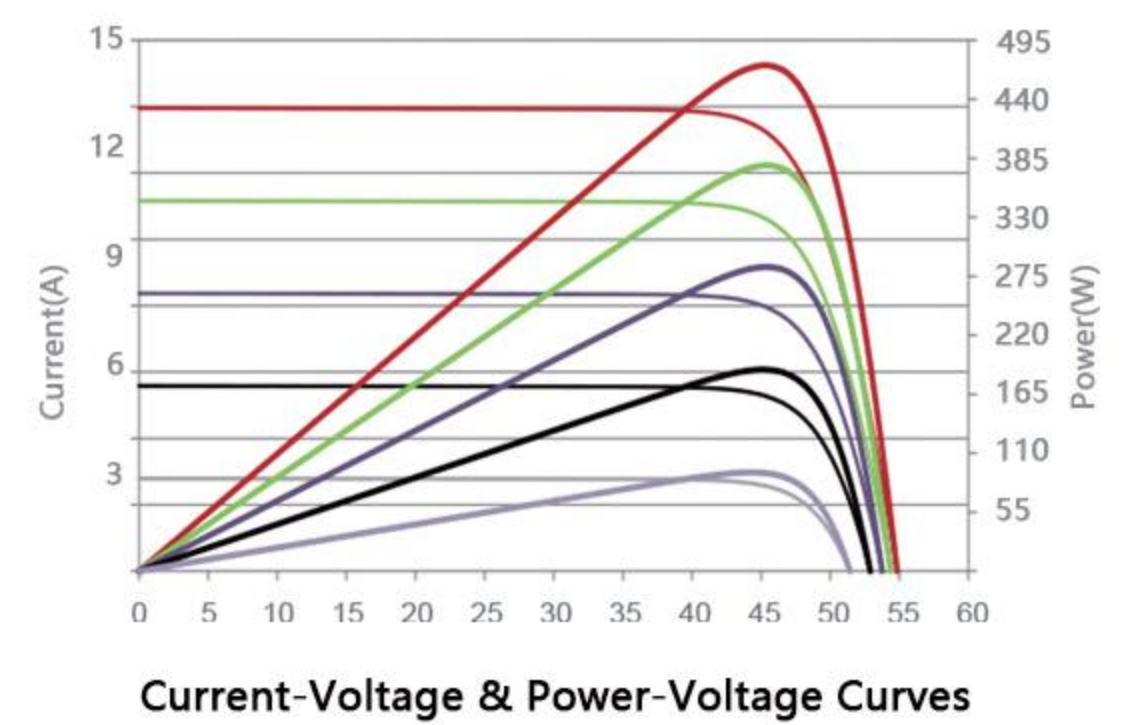
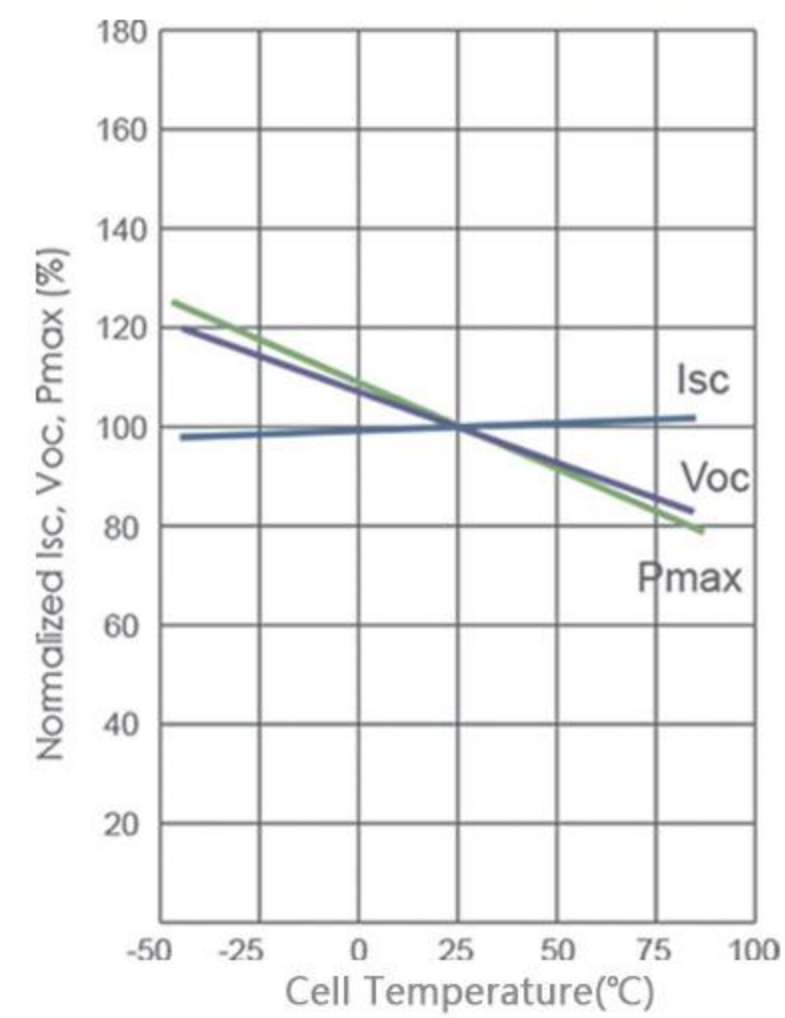
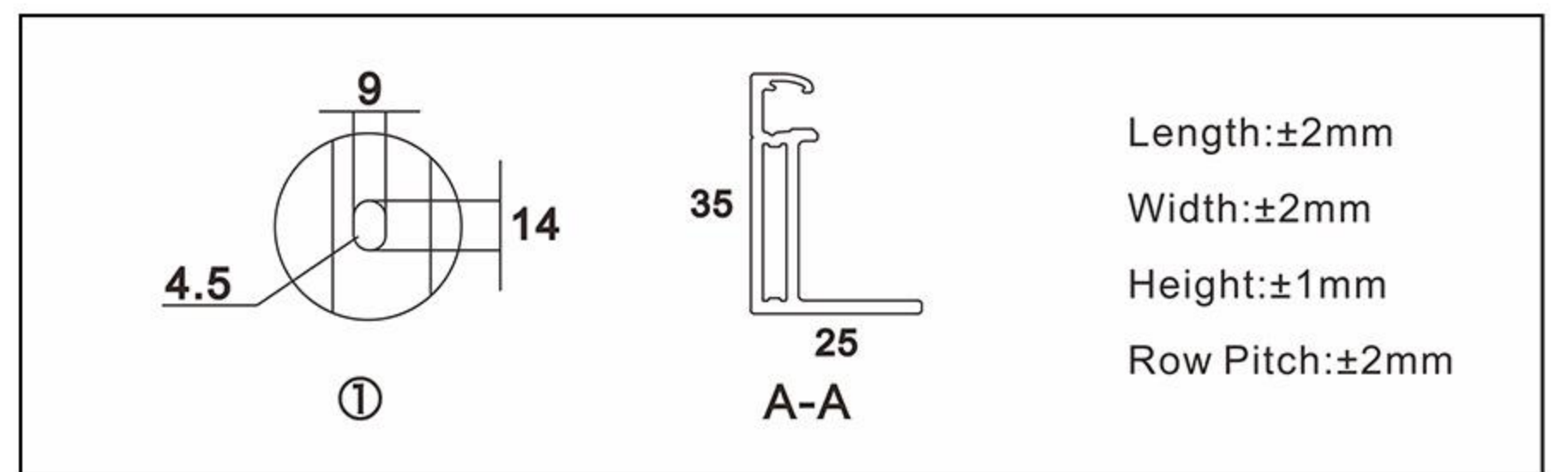
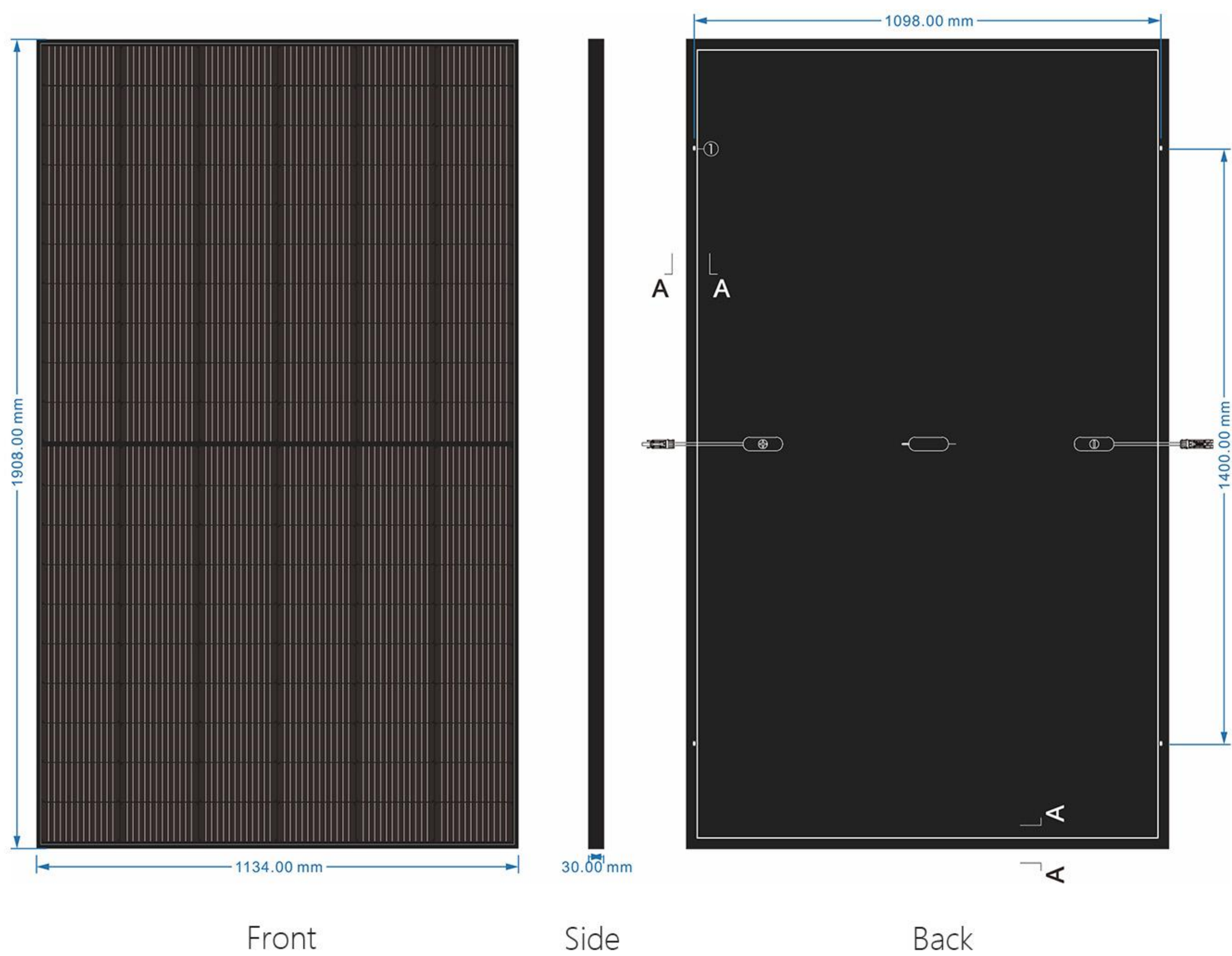
PRODUCT Warranty

- 12-year Warranty for Materials and Processing
- 30-year Warranty for Extra Linear Power Output



PRODUCT Certifications





Electrical Characteristics

STC: AM1.5 1000W/m² 25°C NOCT: AM1.5 800W/m² 20°C 1m/s Test uncertainty for Pmax: ±3%

Module Type	AOX-60M10HC470W		AOX-60M10HC475W		AOX-60M10HC480W		AOX-60M10HC485W	
	STC	NOCT	STC	NOCT	STC	NOCT	STC	NOCT
Testing Condition	STC	NOCT	STC	NOCT	STC	NOCT	STC	NOCT
Maximum Power (Pmax/W)	470Wp	353Wp	475Wp	357Wp	480Wp	361Wp	485Wp	365Wp
Voltage at Maximum Power (Vmp/V)	35.05V	32.94V	35.21V	33.10V	35.38V	33.27V	35.56V	33.45V
Current at Maximum Power (Imp/A)	13.41A	10.73A	13.49A	10.79A	13.57A	10.85A	13.64A	10.91A
Open Circuit Voltage (Voc/V)	42.38V	40.25V	42.54V	40.41V	42.71V	40.57V	42.89V	40.73V
Short Circuit Current (Isc/A)	14.15A	11.42A	14.23A	11.49A	14.31A	11.55A	14.39A	11.62A
Module Efficiency(%)	21.80%		22.00%		22.20%		22.50%	

Mechanical Parameters

Cell Orientation	6*20 (120) solar half cells
Junction Box	IP 68 3 diodes
Output Cable	4.0mm ² solar cable(IEC) (+)≥350mm (-)≥350mm or customized
Glass	3.2mm, High Transmission, AR Coated Heat Strengthened Glass
Frame	35mm Anodized Aluminium Alloy
Weight	23.0kg
Dimension	1908*1134*30mm
Packaging	31pcs/pallets,864pcs/ 40HQ Container

Mechanical Loading

Front Side Maximum Static Loading	5400Pa
Rear Side Maximum Static Loading	2400Pa
Hailstone Test	25mm Hailstone at the speed of 23m/s

Product Warranty

Warranty for Materials and Processing	12 Year
Warranty for Extra Linear Power Output	30 Year

Operating Parameters

Operational Temperature	-40~+85 °C
Power Output Tolerance	0~5W
Voc and Isc Tolerance	±3%
Maximum System Voltage	1000/1500VDC(IEC)
Maximum Series Fuse Rating	25A
Nominal Operating Cell Temperature	45±2°C
Protection Class	Class II
Fire Rating	UL type 1 or 2 IEC Class C

Temperature Ratings (STC)

Temperature Coefficient of Isc	0.046%/°C
Temperature Coefficient of Voc	-0.25%/°C
Temperature Coefficient of Pmax	-0.30%/°C

Product Certifications



Ocean Solar Co.,Ltd
E-mail: info@oceansolar.cn
Web: www.oceansolar.cn

© 2022 Ocean Solar All rights reserved.

Specifications included in this datasheet are subject to change without notice.

