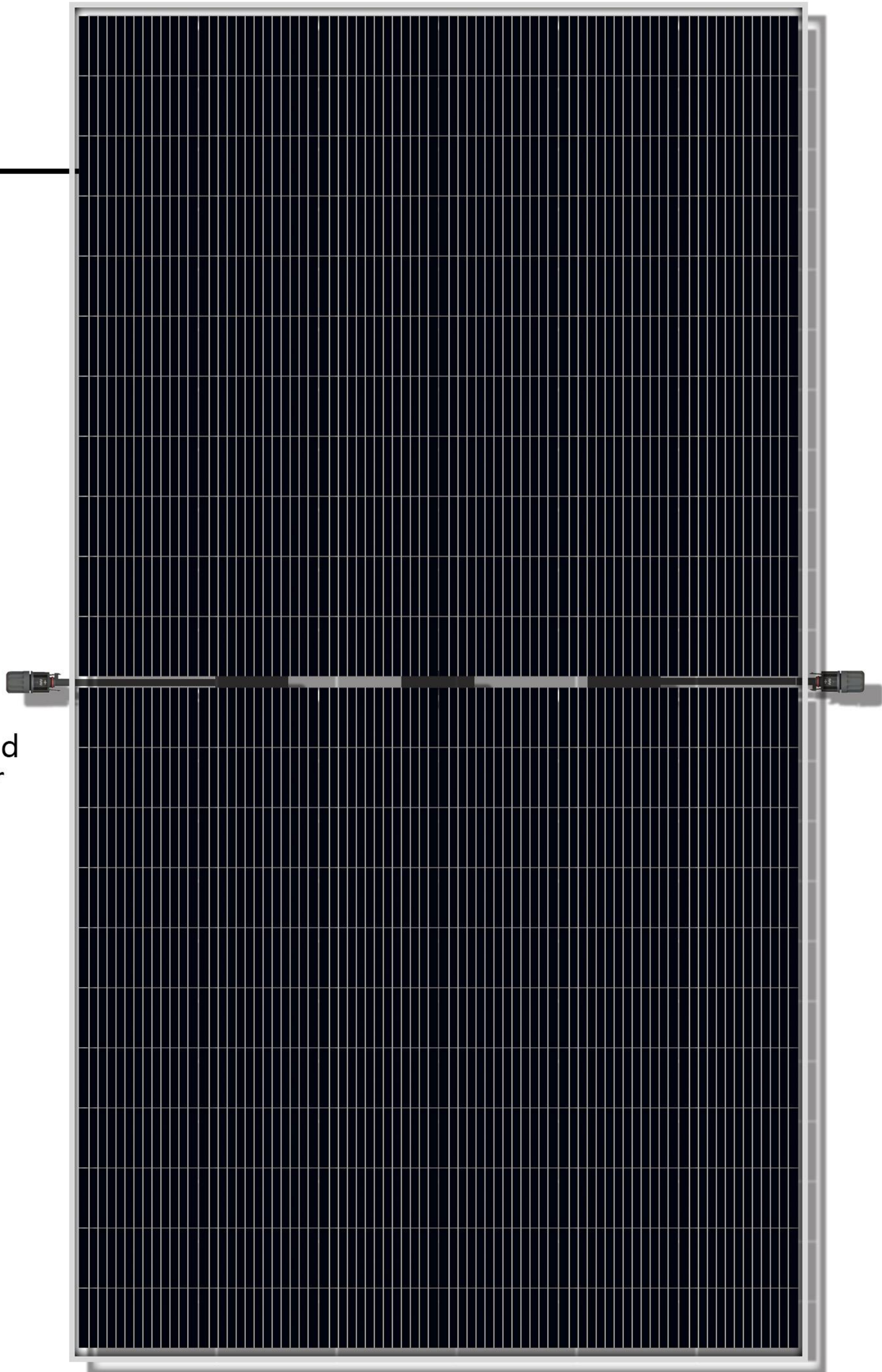


G12 N-TopCon

Bifacial Module with Transparent Backsheet

AOX 66G12HC 670W-700W

- Based on G12 210mm solar cells.
- Higher module quality ensures long-term reliability
- MBB Technology, better light trapping and current collection to improve module power output and reliability.
- Excellent Anti-PID performance guarantee via optimized mass production process and materials control



WORLD SHINES BECAUSE OF YOU

N-TopCon Technology Innovation

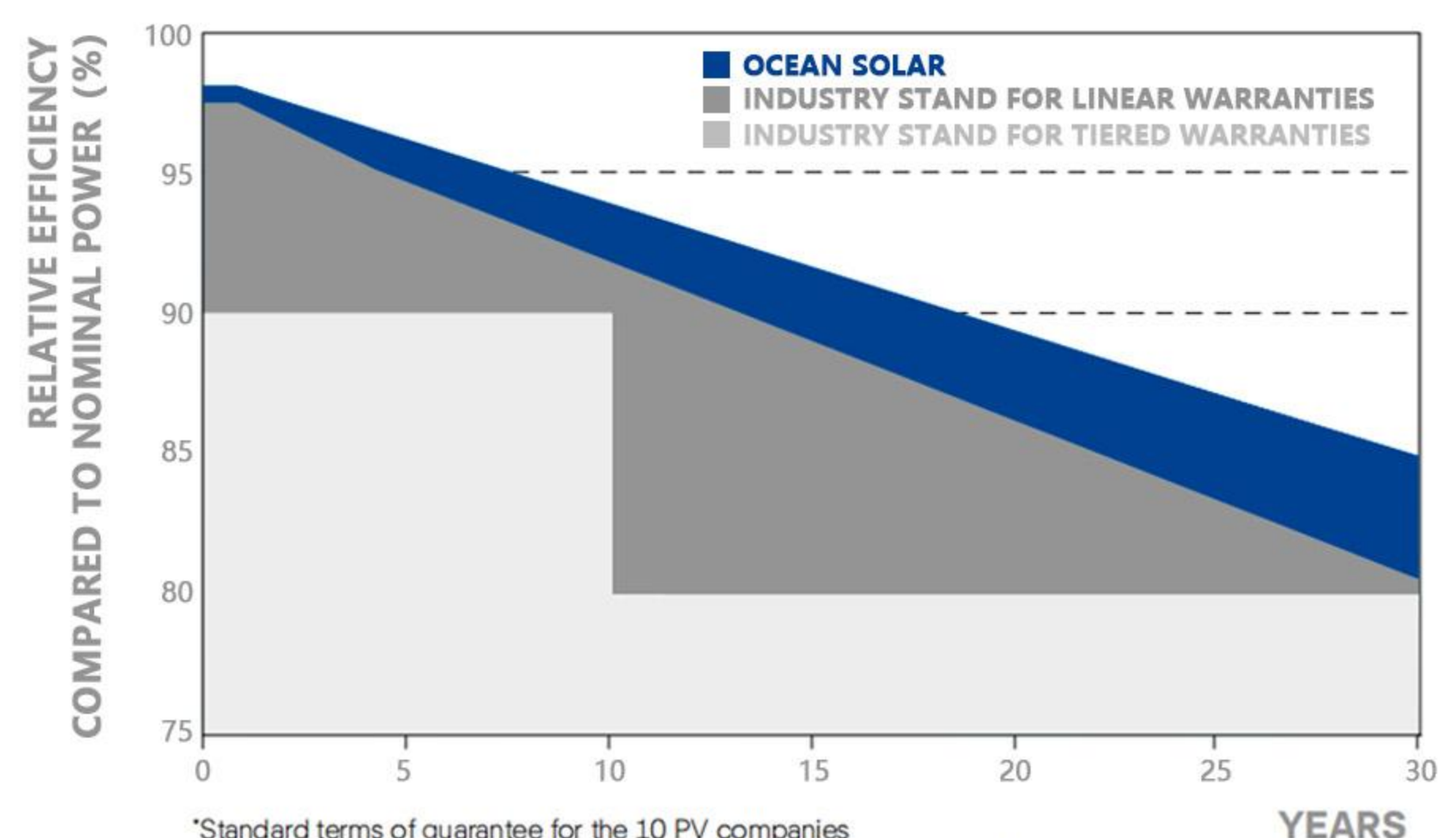
Selective Passivation Contact

The key technology determines the maximum efficiency



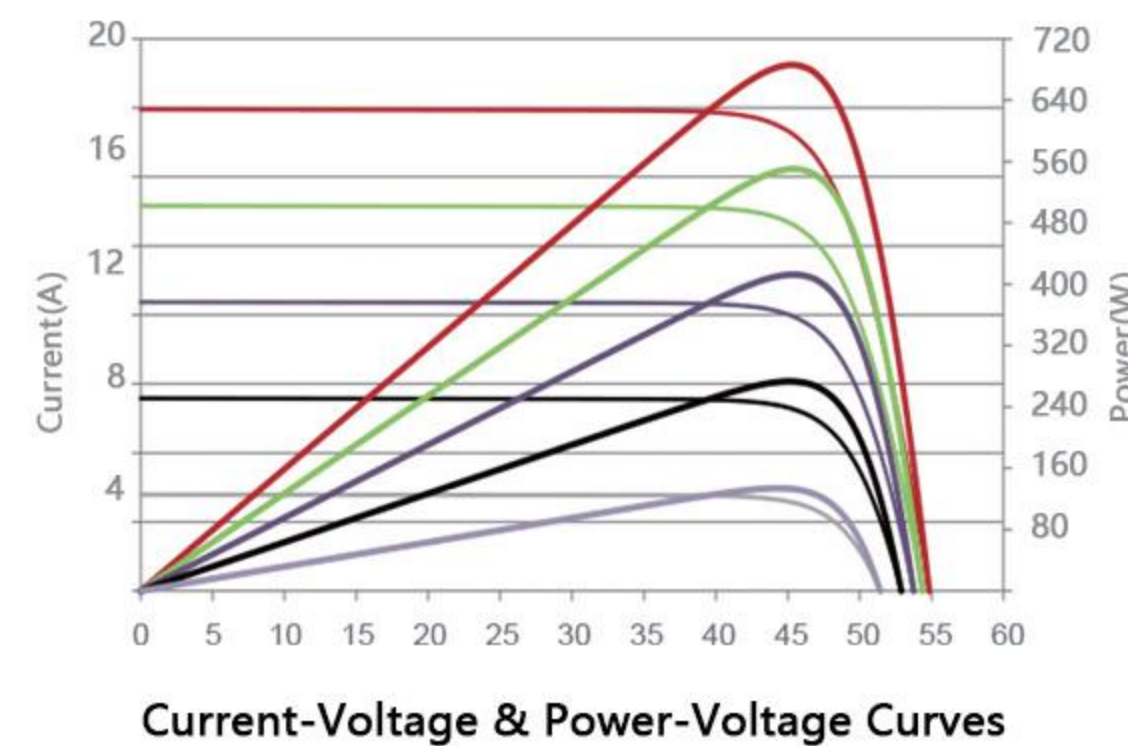
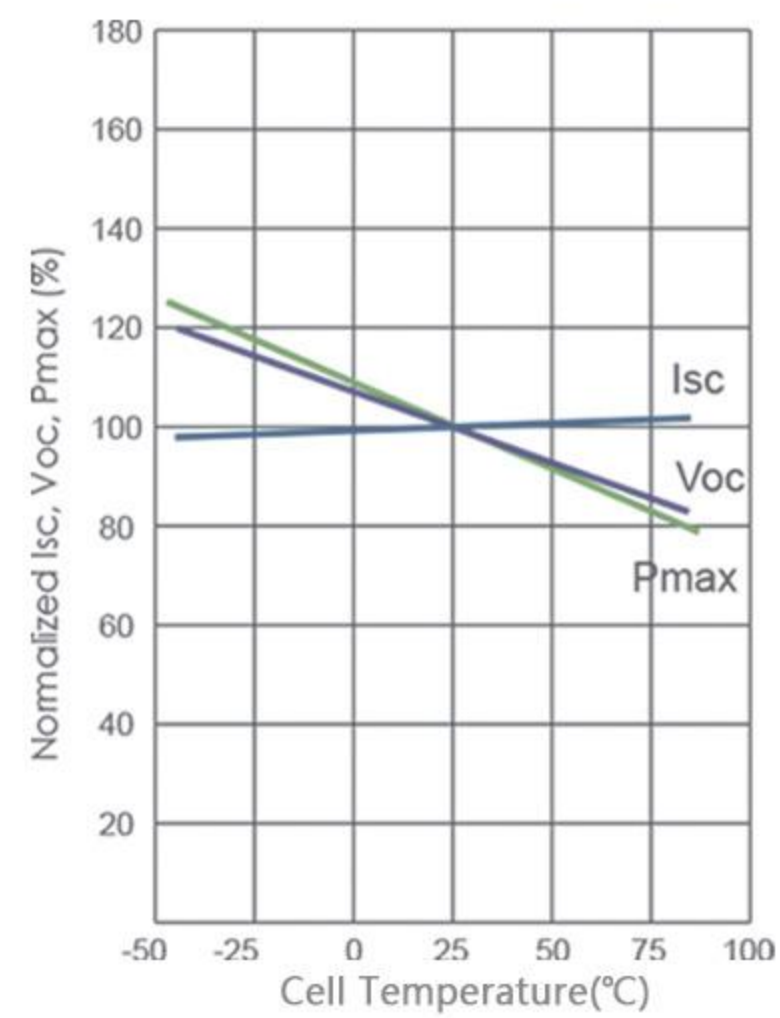
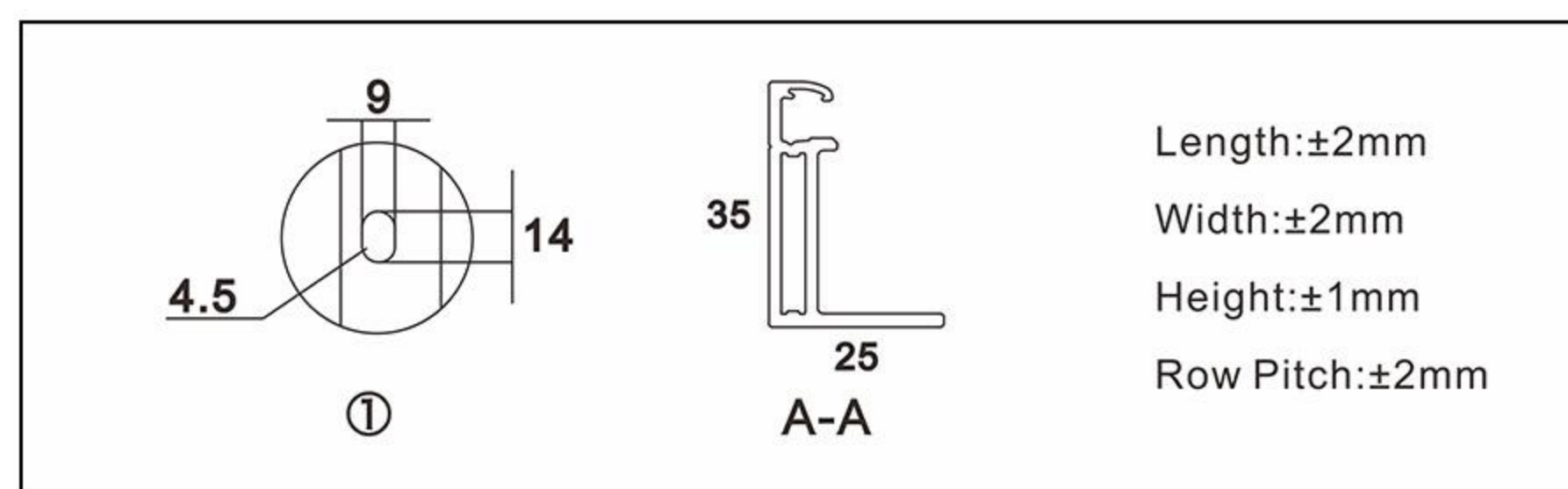
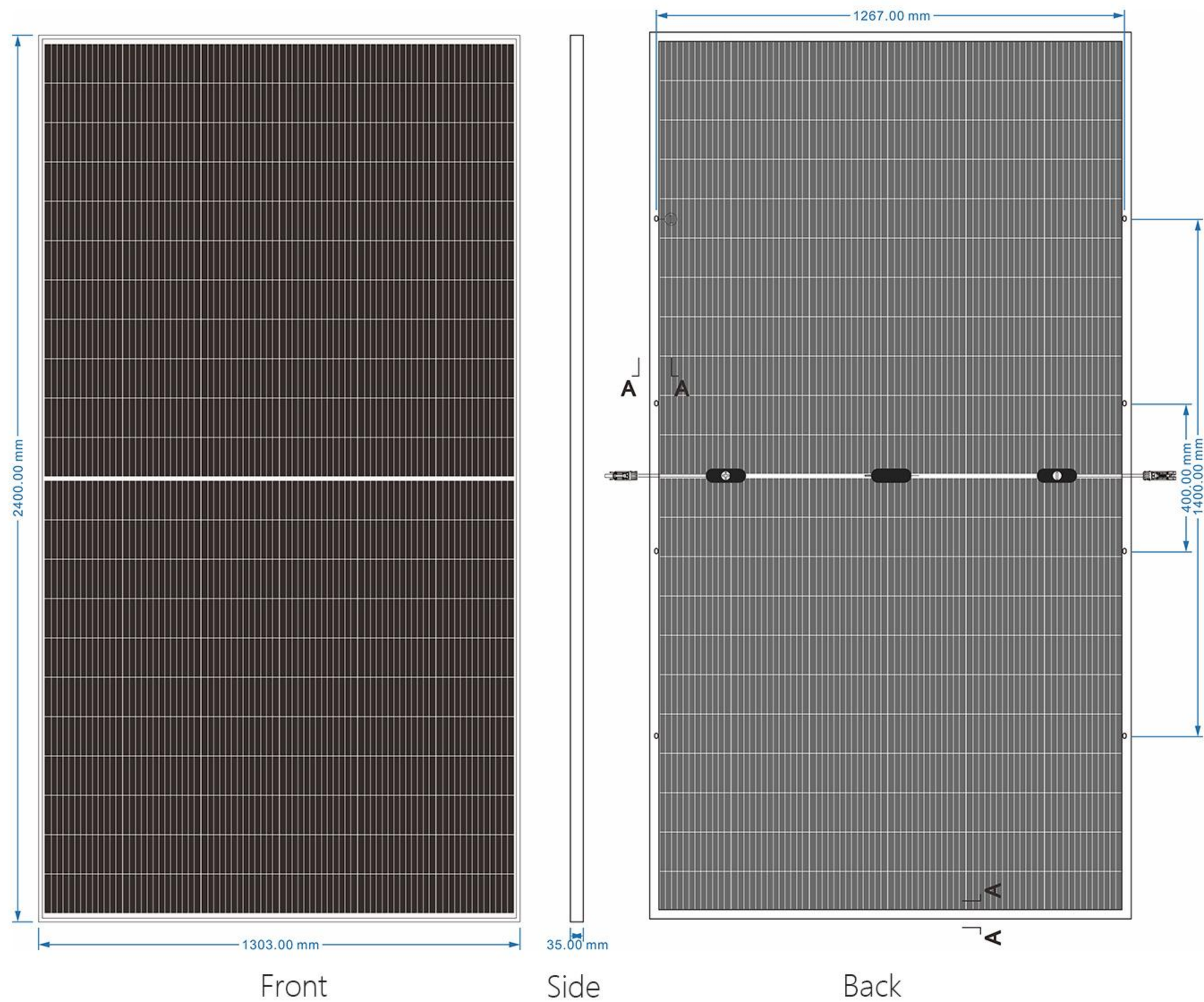
PRODUCT Warranty

12-year Warranty for Materials and Processing
30-year Warranty for Extra Linear Power Output



PRODUCT Certifications





Electrical Characteristics

STC: AM1.5 1000W/m² 25°C NOCT: AM1.5 800W/m² 20°C 1m/s Test uncertainty for Pmax: ±3%

Module Type	AOX-66G12HC670W		AOX-66G12HC680W		AOX-66G12HC690W		AOX-66G12HC700W	
	STC	NOCT	STC	NOCT	STC	NOCT	STC	NOCT
Maximum Power (Pmax/W)	670Wp	508Wp	680Wp	515Wp	690Wp	522Wp	700Wp	530Wp
Voltage at Maximum Power (Vmp/V)	38.20V	35.60V	38.60V	36.00V	39.00V	36.40V	39.40V	36.80V
Current at Maximum Power (Imp/A)	17.55A	14.26A	17.62A	14.31A	17.70A	14.34A	17.77A	14.40A
Open Circuit Voltage (Voc/V)	46.10V	43.40V	46.50V	43.80V	46.90V	44.20V	47.40V	44.60V
Short Circuit Current (Isc/A)	18.62A	15.01A	18.67A	15.06A	18.72A	15.11A	18.77A	15.16A
Module Efficiency(%)	21.44%		21.76%		22.08%		22.40%	

Mechanical Parameters

Cell Orientation	6*22 (132) solar half cells
Junction Box	IP 68 3 diodes
Output Cable	4.0mm ² solar cable(IEC) (+)≥350mm (-)≥350mm or customized
Glass	3.2mm, High Transmission, AR Coated Heat Strengthened Glass
Frame	35mm Anodized Aluminium Alloy
Weight	33.0kg
Dimension	2400*1303*35mm
Packaging	31pcs/pallets,558pcs/ 40HQ Container

Mechanical Loading

Front Side Maximum Static Loading	5400Pa
Rear Side Maximum Static Loading	2400Pa
Hailstone Test	25mm Hailstone at the speed of 23m/s

Bifacial Output-Rearside Power Gain

5%	Maximum Power (Pmax)	704W	714W	725W	735W
	Module Efficiency STC (%)	22.51%	22.85%	23.18%	23.52%
15%	Maximum Power (Pmax)	771W	782W	794W	805W
	Module Efficiency STC (%)	24.66%	25.02%	25.39%	25.76%
25%	Maximum Power (Pmax)	838W	850W	863W	875W
	Module Efficiency STC (%)	26.80%	27.20%	27.60%	28.00%

Operating Parameters

Operational Temperature	-40~+85 °C
Power Output Tolerance	0~5W
Voc and Isc Tolerance	±3%
Maximum System Voltage	1000/1500VDC(IEC)
Maximum Series Fuse Rating	25A
Nominal Operating Cell Temperature	45±2°C
Protection Class	Class II
Fire Rating	UL type 1 or 2 IEC Class C

Temperature Ratings (STC)

Temperature Coefficient of Isc	0.046%/°C
Temperature Coefficient of Voc	-0.25%/°C
Temperature Coefficient of Pmax	-0.30%/°C

Product Warranty

Warranty for Materials and Processing	12 Year
Warranty for Extra Linear Power Output	30 Year

Product Certifications



Ocean Solar Co.,Ltd
E-mail: info@oceansolar.cn
Web: www.oceansolar.cn

© 2022 Ocean Solar All rights reserved.
Specifications included in this datasheet are subject to change without notice.

